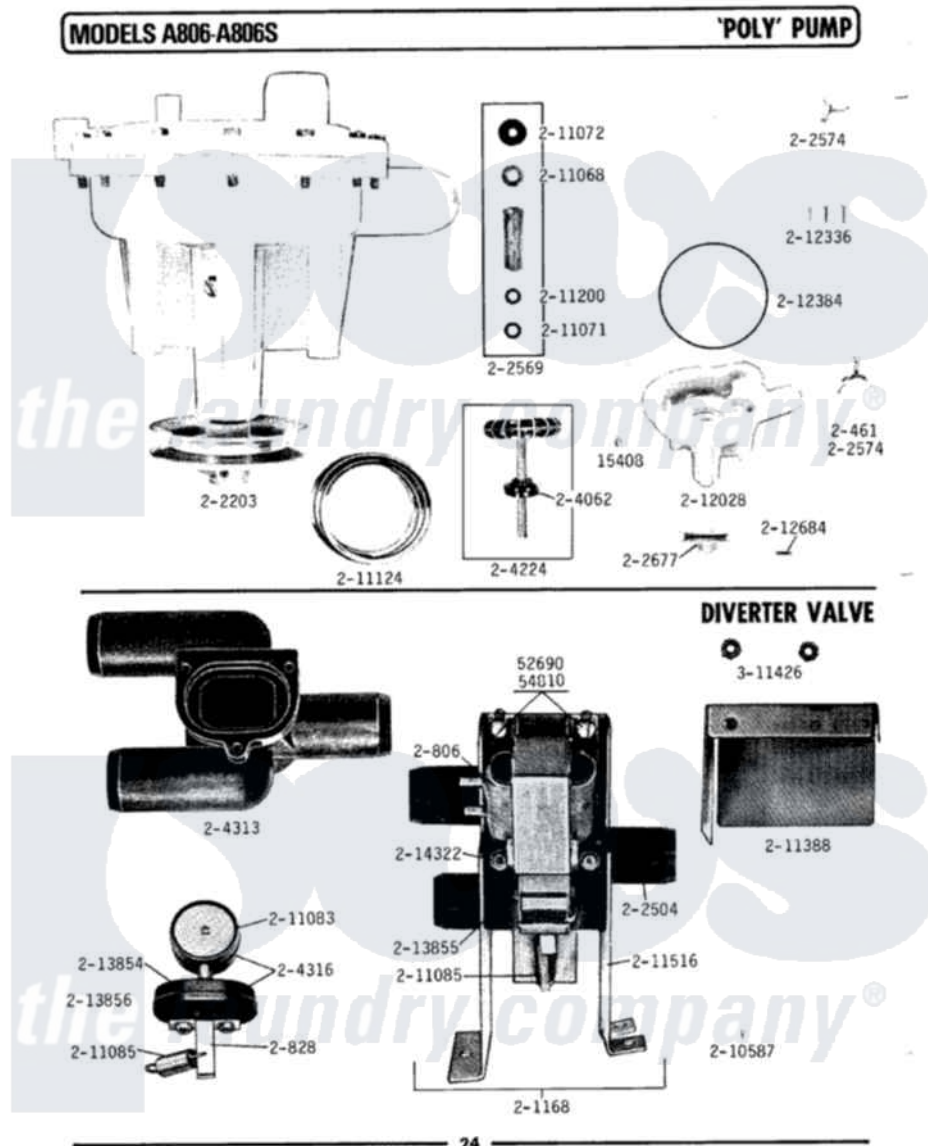


# Maytag A806 11 - 'POLY' PUMP



Maytag Residential Maytag A806 Washer Parts Parts Diagram 11 - 'POLY' PUMP  
Click on the part number to view part

Item	Original Part Number	Replaced By	Status	Part Description
1	Y015408	<a href="#">22003235</a>		Screw, Bearing Insert
2	200461	<a href="#">285655</a>		Clamp, Hose
3	202203	<a href="#">6-2022030</a>		Pump As Pa
4	202569		Not Available	PUMP BEARING KIT
6	202677		Not Available	PUMP PULLEY WITH PIN
7	<a href="#">204062</a>			Seal For Impeller
8	<a href="#">204224</a>			Impeller And Seal Assembly
9	<a href="#">211068</a>			Wicking-Top
10	211071		Not Available	OIL SLINGER-BOTTOM
11	<a href="#">211072</a>			Oil And Water Slinger-Top
12	<a href="#">211124</a>			Part Not Used
13	211200			WASHER
14	212028		Not Available	PUMP HOUSING, POLY
15	212336		Not Available	SCREW, No.8 X 3/4 INCH
16	<a href="#">212384</a>			Gasket For Poly Pump
17	<a href="#">212684</a>			Rollpin For Pump Pulley