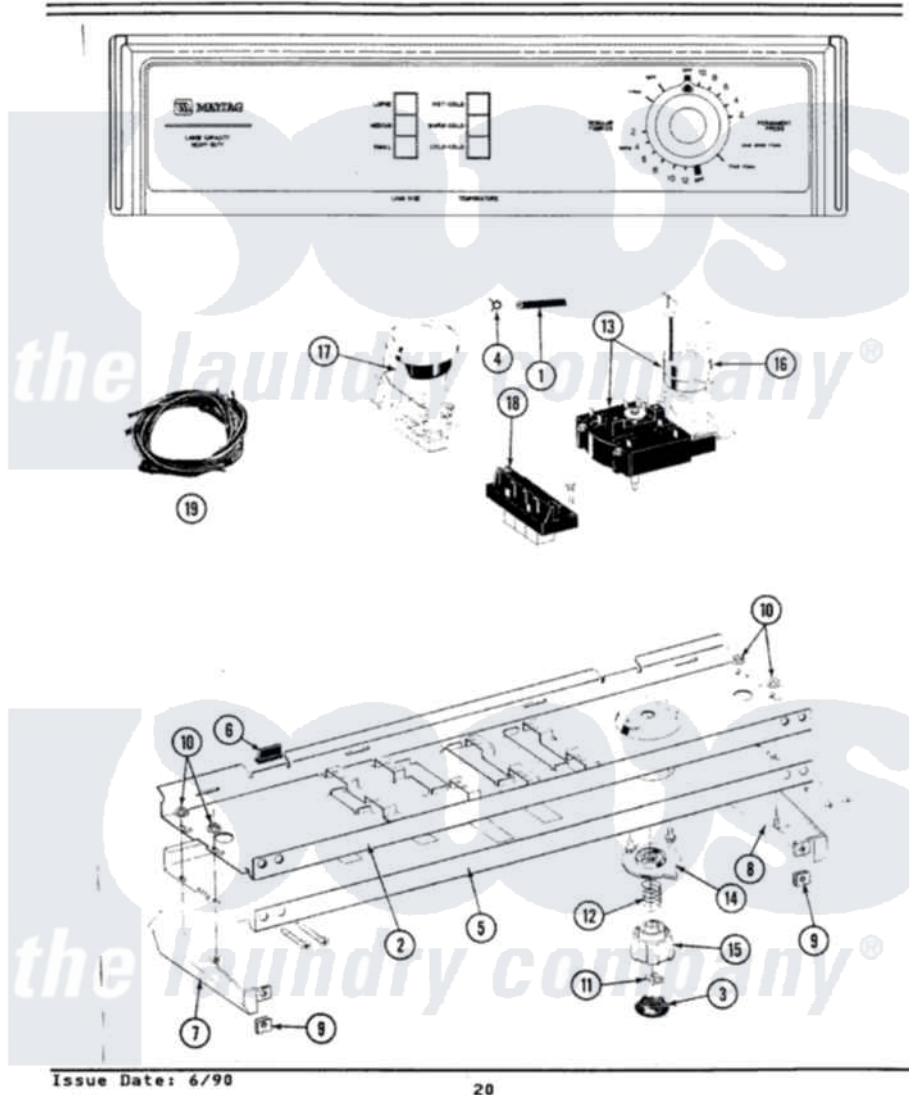


Maytag A8200 04 - CONTROL PANEL

SECTION: CONTROL PANEL
MODEL: A8200



Issue Date: 6/90

20

Maytag [Residential Maytag A8200 Washer Parts](#) Parts Diagram 04 - CONTROL PANEL
Click on the part number to view part

Item	Original Part Number	Replaced By	Status	Part Description
1	212942	22001619		Tube, Water Level Switch
2	214818			Back Up Plate
"	210932			Screw, No.8 X 9/16 Ctsk Note: Screw, Inlet Duct
3	215821		Not Available	CAP, KNOB
4	410296	596669		Clamp, Manifold
5	207406		Not Available	CONTROL PANEL
"	210932			Screw, No.8 X 9/16 Ctsk Note: Screw, Inlet Duct
6	214897			Pad, Control Panel
7	207215		Not Available	END CAP LH
8	207216		Not Available	END CAP RH
9	214894			Fastener, End Cap
10	214872			Palnut, End Cap Note: Nut, Lamp Holder
11	211605			Bezel, Timer Dial
12	211065			Spring, Index Wheel

13	213966	3400014	Screw
"	207379		Timer
14	215827	Not Available	TIMER DIAL SKIRT
15	215828		Knob, Timer
16	205033	22205033	Motor- Tim
17	207363	Not Available	3 LEVEL PRESSURE SWITCH
"	211168	W10139210	Screw, 8-18 X 5/16
18	213117	67006908	Screw, Ice Rack
"	207368	Not Available	TEMP CONTROL SWITCH - 3 BUTTON
19	207383		Wire Harness

Howes
the laundry company®

Howes
the laundry company®

Howes
the laundry company®