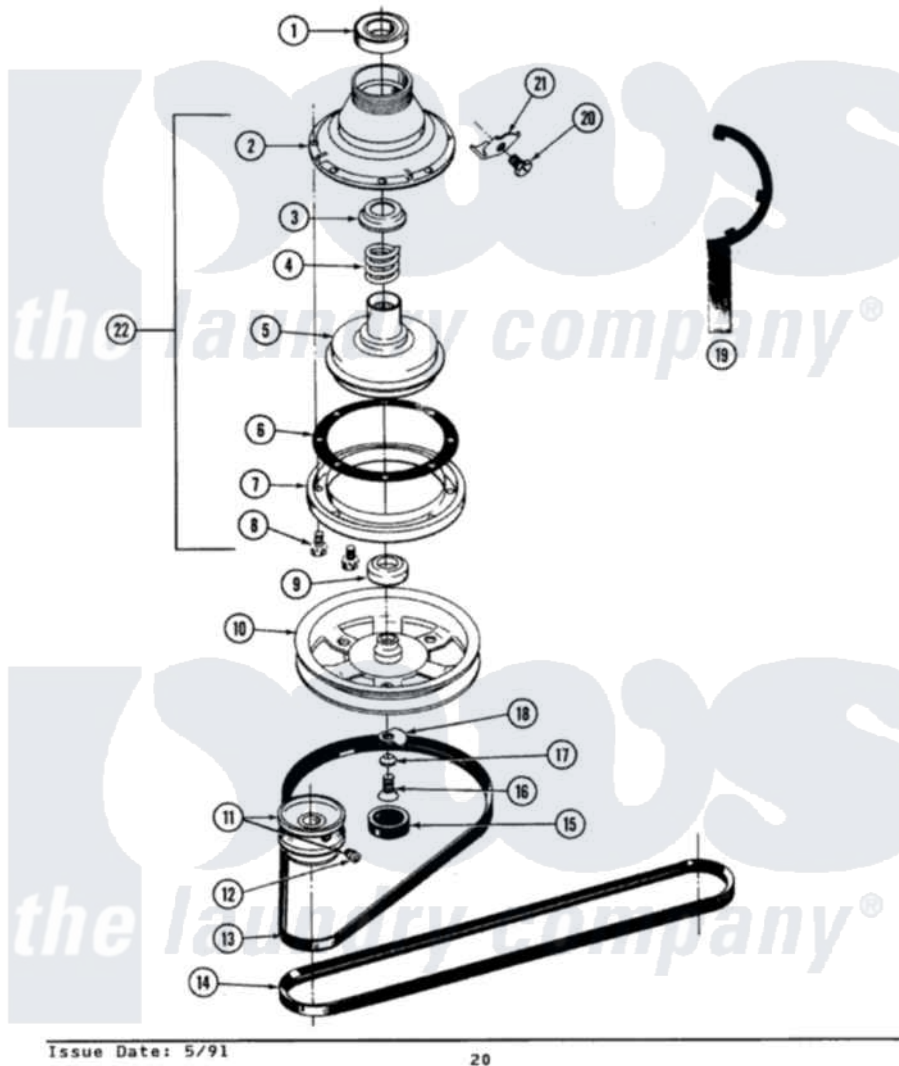


Maytag A8210 03 - CLUTCH, BRAKE & BELTS

SECTION: CLUTCH, BRAKE & BELTS
 MODEL: A8120 A8210

P/N 16000168



Maytag Residential Maytag A8210 Washer Parts Parts Diagram 03 - CLUTCH, BRAKE & BELTS
 Click on the part number to view part

Item	Original Part Number	Replaced By	Status	Part Description
1	Y200720	22003441		Bearing, Rear
2	211045	6-2011900		Brake Asse
3	211039	6-2011900		Brake Asse
4	211041	6-2011900		Brake Asse
5	201126	6-2011900		Brake Asse
6	211042	6-2011900		Brake Asse
7	211043	6-2011900		Brake Asse
8	211000			SCREW, BRAKE DRUM (HEX HEAD)
9	200835			Bearing, Brake Rotor
10	211059	6-2301530		Pulley
11	200816	6-2008160		Pulley- MO
12	Y053241			Set Screw, Motor Pulley
13	211125			V Belt, Drive Pulley
14	211124			Part Not Used
15	211038		Not Available	CAP, OIL RETAINER
16	211375	681582		Screw

17	211090	22003555	Washer, Stop Lug
18	211089		Lug, Stop Pulley
19	Y038315	038315	Tool
20	213326		Bolt, Sems Retaining Clip
21	213325		Clip, Retaining
22	201190	6-2011900	Brake Asse

