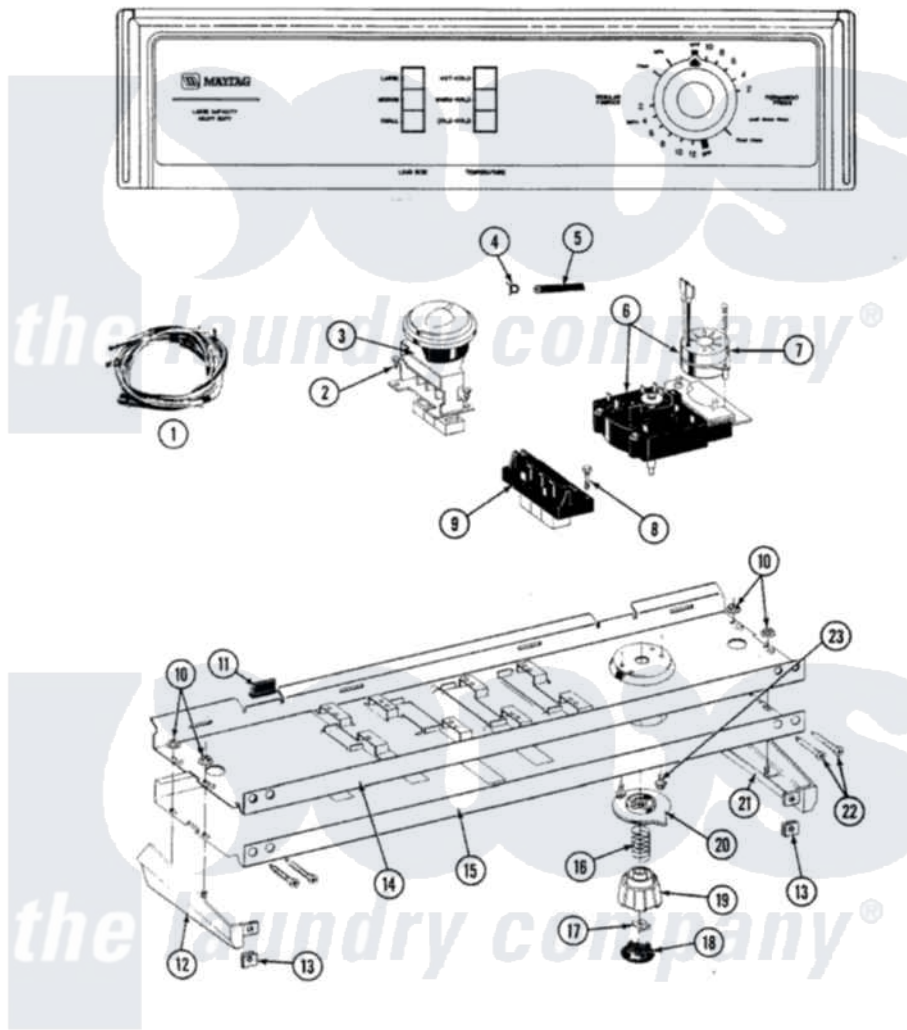


# Maytag A8210 04 - CONTROL PANEL

SECTION: CONTROL PANEL  
MODEL: A8210

P/N 16000168



Issue Date: 5/91

4

Maytag [Residential Maytag A8210 Washer Parts](#) Parts Diagram 04 - CONTROL PANEL  
Click on the part number to view part

Item	Original Part Number	Replaced By	Status	Part Description
1	<a href="#">207383</a>			Wire Harness
2	211168	<a href="#">W10139210</a>		Screw, 8-18 X 5/16
3	207363		Not Available	3 LEVEL PRESSURE SWITCH
4	410296	<a href="#">596669</a>		Clamp, Manifold
5	212942	<a href="#">22001619</a>		Tube, Water Level Switch
6	<a href="#">207379</a>			Timer
7	205033	<a href="#">22205033</a>		Motor- Tim
8	213117	<a href="#">67006908</a>		Screw, Ice Rack
9	207368		Not Available	TEMP CONTROL SWITCH - 3 BUTTON
10	<a href="#">214872</a>			Palnut, End Cap Note: Nut, Lamp Holder
11	<a href="#">214897</a>			Pad, Control Panel
12	207215		Not Available	END CAP LH
13	<a href="#">214894</a>			Fastener, End Cap
14	<a href="#">214818</a>			Back Up Plate

15	207406	Not Available	CONTROL PANEL
16	<a href="#">211065</a>		Spring, Index Wheel
17	<a href="#">211605</a>		Bezel, Timer Dial
18	215821	Not Available	CAP, KNOB
19	<a href="#">215828</a>		Knob, Timer
20	215827	Not Available	TIMER DIAL SKIRT
21	207216	Not Available	END CAP RH
22	<a href="#">210932</a>		Screw, No.8 X 9/16 Ctsk Note: Screw, Inlet Duct
23	213966	<a href="#">3400014</a>	Screw

