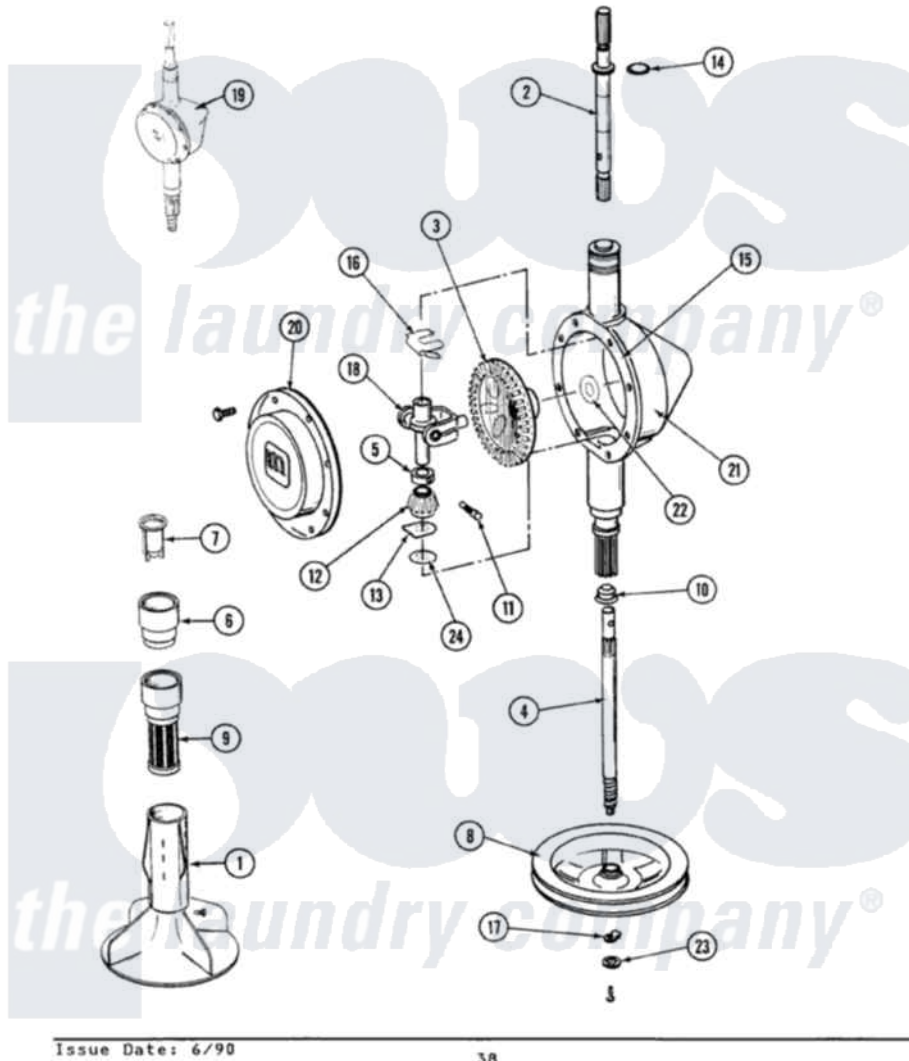


# Maytag A8240 05 - ORBITAL TRANSMISSION

SECTION: ORBITAL TRANSMISSION  
MODEL: ALL MODELS



Issue Date: 6/90

38

Maytag [Residential Maytag A8240 Washer Parts](#) Parts Diagram 05 - ORBITAL TRANSMISSION  
Click on the part number to view part

| Item | Original Part Number    | Replaced By               | Status        | Part Description                 |
|------|-------------------------|---------------------------|---------------|----------------------------------|
| 1    | 206478                  |                           | Not Available | SCREW & WASHER FOR AGITATOR      |
| "    | <a href="#">207538</a>  |                           |               | Agitator W/Lock Screw            |
| 2    | 207153                  | <a href="#">6-2097820</a> |               | Kit- Shaft                       |
| 3    | 206713                  | <a href="#">6-2067130</a> |               | Gear- Beve                       |
| 4    | 215411                  | <a href="#">12001451</a>  |               | Ctr Shaft W/Collar Andkeeper-Sha |
| 5    | 215415                  |                           | Not Available | COLLAR, LOWER                    |
| 6    | <a href="#">215721</a>  |                           |               | Dispensing Cap                   |
| 7    | <a href="#">215733</a>  |                           |               | Dispensing Cup                   |
| 8    | 211059                  | <a href="#">6-2301530</a> |               | Pulley                           |
| 9    | <a href="#">Y207427</a> |                           |               | Lint Filter Shallow              |
| 10   | 206602                  | <a href="#">207843</a>    |               | Lip Seal Repair Kit              |
| 11   | <a href="#">Y206629</a> |                           |               | Pin, Collar                      |
| 12   | 215401                  | <a href="#">W10221114</a> |               | Pinion                           |
| 13   | <a href="#">215395</a>  |                           |               | Plate, Clutch                    |
| 14   | <a href="#">210690</a>  |                           |               | Seal, Rubber                     |

|    |                        |                           |                           |
|----|------------------------|---------------------------|---------------------------|
| 15 | Y058700                | <a href="#">675652</a>    | Adhesive                  |
| 16 | <a href="#">215581</a> |                           | Spring, Agitator Shaft    |
| 17 | 211375                 | <a href="#">681582</a>    | Screw                     |
| "  | <a href="#">211089</a> |                           | Lug, Stop Pulley          |
| 18 | 206685                 | <a href="#">6-2066850</a> | Yoke                      |
| 19 | 206708                 | <a href="#">6-2097790</a> | Transmison                |
| 20 | <a href="#">206628</a> |                           | Cover, Transmission       |
| "  | 215417                 | Not Available             | SCREW, TRANSMISSION COVER |
| 21 | 206625                 | <a href="#">6-2097790</a> | Transmison                |
| 22 | <a href="#">215394</a> |                           | Washer, Bevel Gear        |
| 23 | 211090                 | <a href="#">22003555</a>  | Washer, Stop Lug          |
| 24 | 211483                 | <a href="#">6-2114830</a> | Washer- SP                |

*the laundry company*<sup>®</sup>

*the laundry company*<sup>®</sup>

*the laundry company*<sup>®</sup>