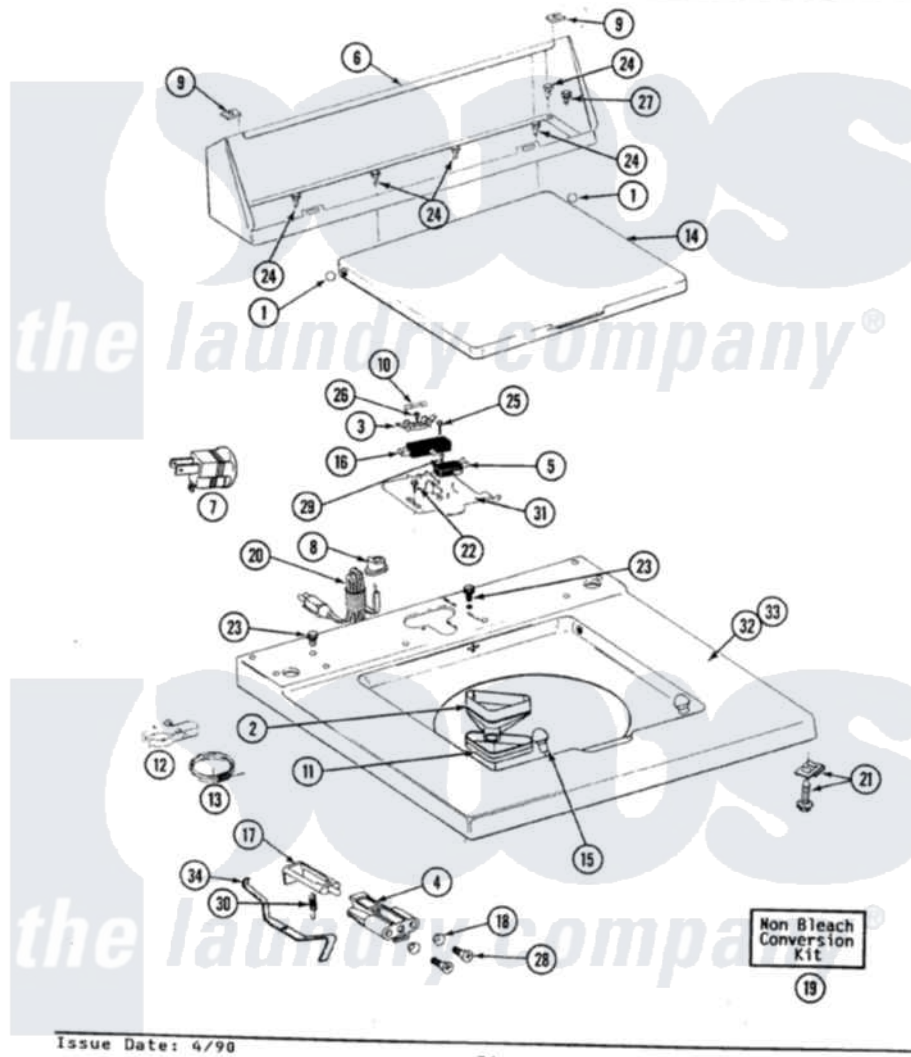


Maytag A8650 06 - TOP COVER, CONSOLE & LID SWITCH

SECTION: TOP COVER, CONSOLE & LID SWITCH
 MODEL: ALL MODELS



Issue Date: 4/98

34

Maytag Residential Maytag A8650 Washer Parts Parts Diagram 06 - TOP COVER, CONSOLE & LID SWITCH
 Click on the part number to view part

Item	Original Part Number	Replaced By	Status	Part Description
1	211726			Hinge, Ball Lid
2	215577			Bleach Inlet White
3	207167			Block, Fuse
4	216256		Not Available	BRACKET, UNBALANCE
"	214279	204968		Plunger And Bracket Assembly--W
5	207166			Switch, Check
6	205635			Console
7	Y201808			Converter
8	211881			Grommet, Cord Part Not Used-Gas Models Only
9	215075			Fastener, Control Panel To Console
10	207168	22001682		Switch Assembly, Lid W/4amp Fuse
11	214436			Gasket
12	301548			Clamp, Ground Wire
13	311155			Ground Wire And Clamp

14	212073		LID (WHITE)
15	212716		Bumper, Lid
16	205415	279347	Switch-Lid
17	208591		Not Available KIT, PLUNGER & BRACKET
"	215700		Not Available LID SWITCH PLUNGER
18	211500		Washer, Bracket To Top Cover
19	205997		Non-Bleach Conversion Kit
20	204590		Cord, Power
21	204445		Screw And Fastener Assembly
22	207159	489355	Screw, 8 X 1/2
23	210186	3370225	Screw
24	211294	90767	Screw, 8A X 3/8 HeX Washer Head Tapping
25	213501		Screw, No.6-20 X 1-1/8 Inch
26	215705	Y311711	Screw, Fuse Block
27	Y313559		Screw
28	910182	25-7809	Screw, No.6-20 1/2 Flthd Torx
29	912012	3400409	Screw
30	213720		Spring, Lid Switch
31	Y215699	22001678	Bracket, Switch And Fuse
32	207170		Top Cover
34	215704		Lever, Unbalance

