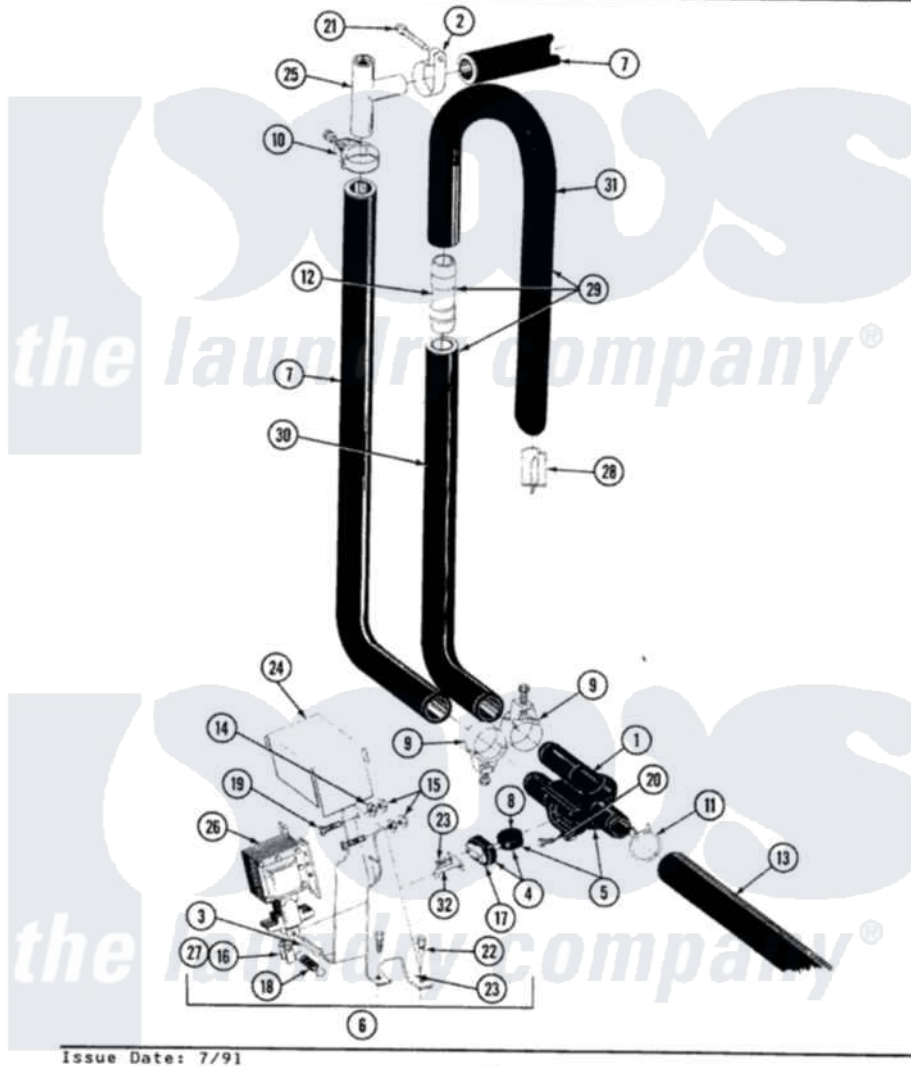


Maytag A9400S 08 - WATER SAVER COMPONENTS

SECTION: WATER SAVER COMPONENTS
 MODEL: A9400S A9400W SERIES 01 A9700S A9700W SERIES 01



Maytag Residential Maytag A9400S Washer Parts Parts Diagram 08 - WATER SAVER COMPONENTS
 Click on the part number to view part

Item	Original Part Number	Replaced By	Status	Part Description
1	204313			Body For Diverter Valve
2	211448			Clamp
3	052366			Cotter Key, 1/8 X 7/8
4	204316			Diaphragm And Arm
5	202504			Diverter Valve Cover/Flapper
6	201168			Diverter Valve
7	211704			Hose, Drain
8	211083			Flapper
9	200461	285655		Clamp, Hose
10	200908	285655		Clamp, Hose
11	202574	3367052		Clamp, Hose
12	211111	16272		Connector, Straight
13	211518			Hose
14	052690		Not Available	HEX. NUT, No.10-32
15	Y311426	3400029		Nut, Adapter Plate
16	213855			Pin, Pivot

17	213856	Not Available	RETAINER
18	211085		Return Spring
19	Y054810	67006380	Screw, Center Hinge
20	214332	90767	Screw, 8A X 3/8 HeX Washer Head Tapping
21	Y310842	8182296	Screw, Agitator
22	910091	3370225	Screw
23	911266	Not Available	SCREW, STRAINER TO PUMP
24	211388	Not Available	SHIELD
25	201112	76660	Break-Sphn
26	200806		Solenoid
27	211087		Solenoid Link
28	212056		Strainer
29	200736		Suds Return Hose
30	211171		Suds Return Hose-Lower
31	211170		Suds Hose, Upper
32	200828		Valve Arm Assembly
NI	211516		Valve Bracket

