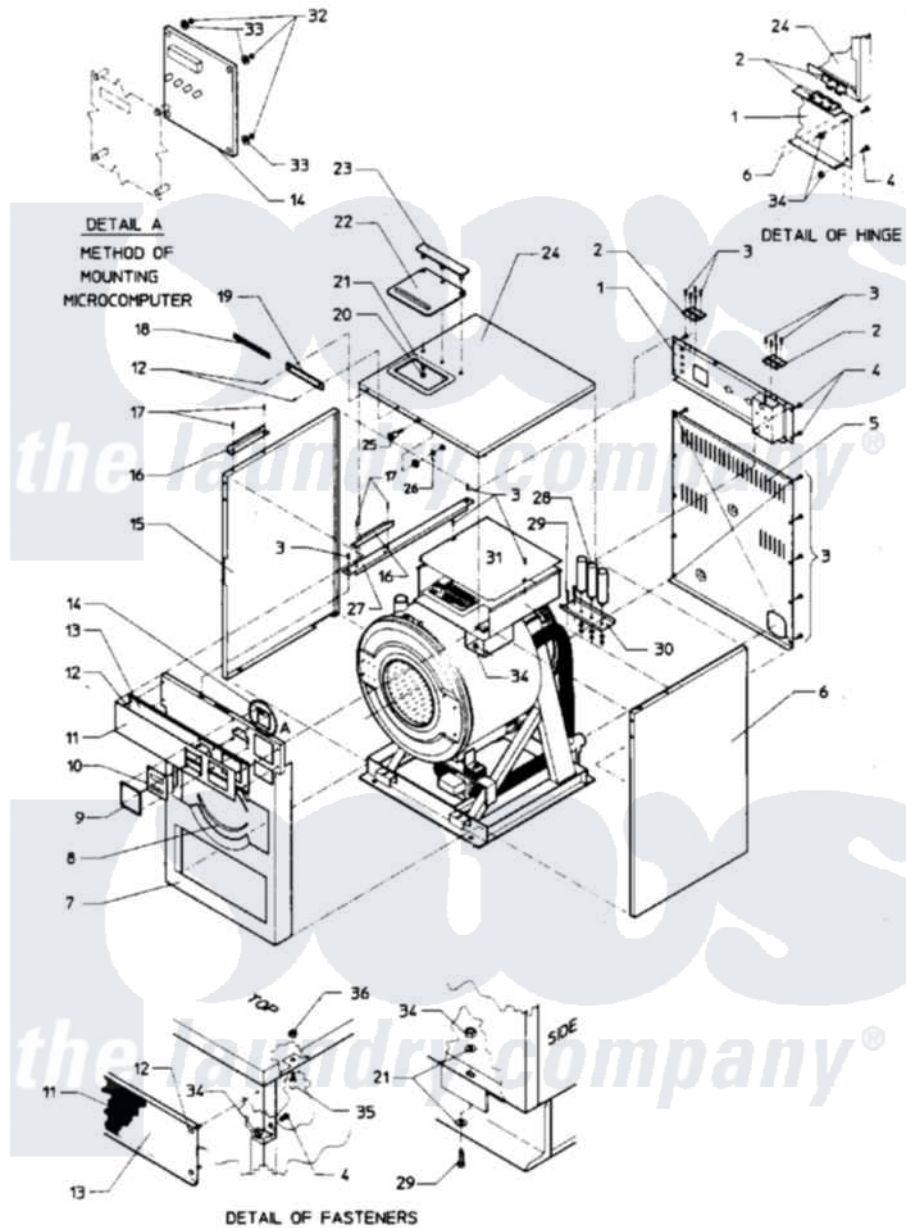


# Maytag AT18PC2 01 - MAIN EXPLODED VIEW - COMPUTER MODELS



Maytag Residential Maytag AT18PC2 Washer Parts Parts Diagram 01 - MAIN EXPLODED VIEW - COMPUTER MODELS

[Click on the part number to view part](#)

Item	Original Part Number	Replaced By	Status	Part Description
001	<a href="#">24001169</a>			Panel Kit, Valve
002	24001676		Not Available	HINGE, TOP COVER (NOTE: 18003069 AFTER SERIAL
"	<a href="#">Y24001300</a>			Hinge
003	24001301	<a href="#">67006964</a>		Screw, Glide
004	<a href="#">24001323</a>			Screw
005	Y24001400		Not Available	KIT, PANEL (REAR)
006	24001162		Not Available	PANEL KIT, SIDE (RT.)18 (AS VIEWED FROM FRONT)
007	24001701		Not Available	PANEL, FRONT (INR)
008	24001550	<a href="#">24001532</a>		Trim- Pane
009	NLA		Not Available	TRIM, KEYPAD (CPTR GREY)
010	<a href="#">24001112</a>			Switch, Membrane
011	NLA		Not Available	DECAL
012	<a href="#">24001533</a>			Rivet, Pop S.s.
013	NLA		Not Available	PANEL, CONTROL (ALUM)

014	<a href="#">24001010</a>		Board, Coin Computer
"	<a href="#">24001709</a>		Board, Computer
015	NLA	Not Available	PANEL KIT, SIDE (LT.)18
016	24001539	Not Available	BRACKET, SOAP DISPENSER
017	24001540	Not Available	RIVET, BLIND S.S. (1/8 X 5/16)
018	NLA	Not Available	DECAL (MAYTAG)
019	24001671	Not Available	NAMEPLATE
020	24001510	<a href="#">W10139757</a>	Nut
021	<a href="#">24001295</a>		Lockwasher, S.s.
022	24001219	Not Available	COVER, SOAP DISPENSER
023	<a href="#">24001542</a>		Clamp, Soap Dispenser
024	24001168		KIT ASSY., TOP COVER
025	<a href="#">24001220</a>		Lock, Top Cover
026	<a href="#">24001221</a>		Latch, Top Cover
027	24001695	Not Available	BRACE, TOP
028	<a href="#">24001236</a>		Capacitor
"	<a href="#">24001698</a>		Capacitor
029	<a href="#">24001303</a>		Screw
030	24001692	Not Available	BRACKET, CAPACITOR
031	24001545	Not Available	COVER, ELECTRICAL MODULE
032	24001417	<a href="#">7103P070-60</a>	Nut, Top Pilot
033	<a href="#">24001415</a>		Washer, S.s.
034	<a href="#">24001305</a>		Nut, Fiberlock
035	24001546	Not Available	STUD, S.S. (6/32" X 1/4")
036	<a href="#">24001425</a>		Nut, Fiberlock, Pltd
"	24001675	Not Available	RESISTOR (12K OHMS 5 WATT) (W/CENTURY OR ELMO MOTORS)

