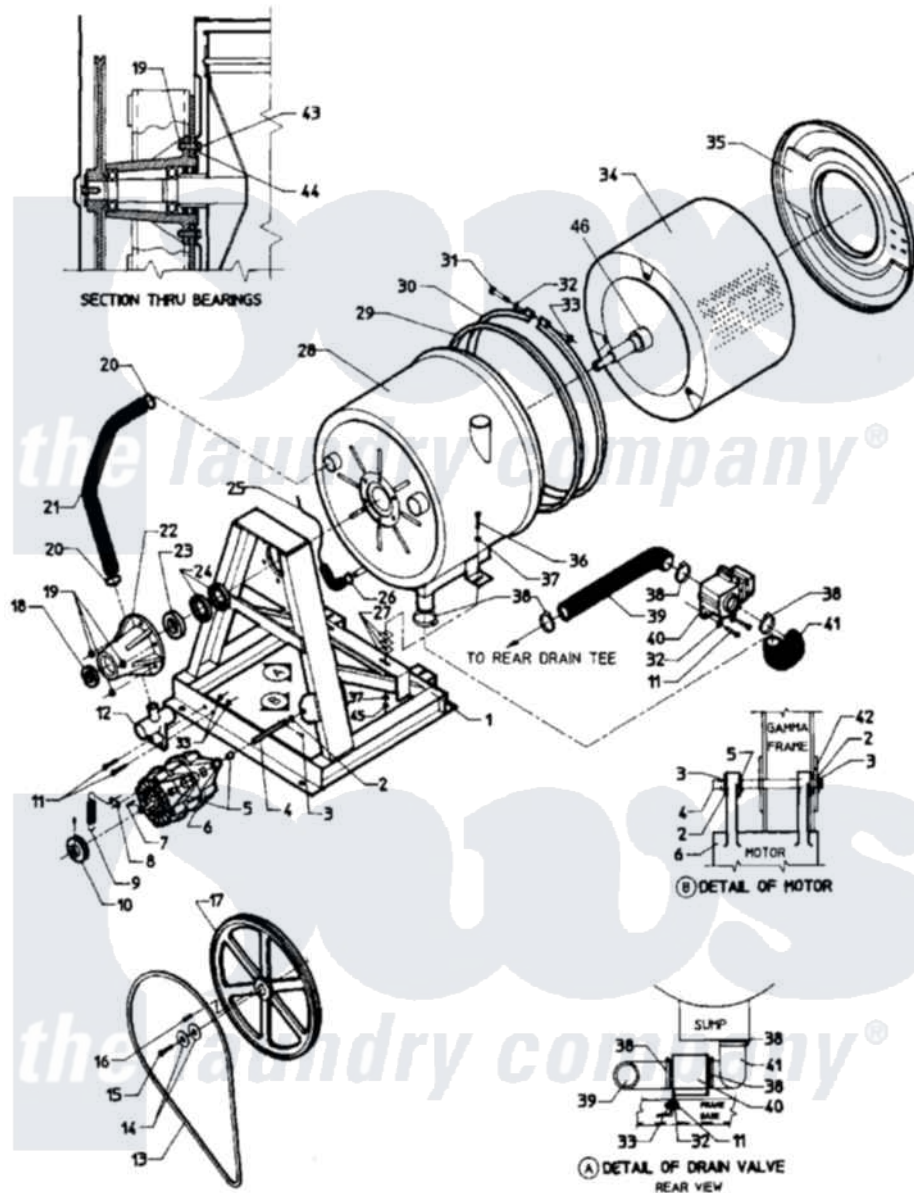


Maytag AT18PN2 09 - MAIN EXPLOYDED VIEW - SUB ASSEMBLY



Maytag [Residential Maytag AT18PN2 Washer Parts](#) Parts Diagram 09 - MAIN EXPLOYDED VIEW - SUB ASSEMBLY
 Click on the part number to view part

Item	Original Part Number	Replaced By	Status	Part Description
001	24001369		Not Available	KIT ASSY., FRAME (2 SPEED)
002	24001511			Washer, Hardened
003	24001512		Not Available	PIN, COTTER PLTD. (1/8X1 1/2)
004	24001647		Not Available	ROD, MOTOR SUPPORT
005	24001021			Bushing, Motor
006	24001078			Motor, 2SP
"	24001082			Motor, 2SP
007	24001648		Not Available	KEY (MOTOR 3/16" X 1 1/2")
008	24001651		Not Available	CLIP, MOTOR SPRING
009	24001650		Not Available	SPRING (BELT TENSION)
010	24001086			Pulley, Motor
011	24001502	8204624		Bolt
012	24001826		Not Available	(B)CONNECTION, TEE-DRAIN
013	24001093			Belt, V

014	24001501		Washer, Stainless Steel
015	Y24001500		Screw, S.s.
016	24001499	Not Available	KEY (3/8`` X 1 1/4``)
017	24001085		Pulley, Basket
018	24001015		Bearing
019	24001515		Nut, Fiberlock Pltd.
020	24001283	Not Available	CLAMP, HOSE (No.28)
021	24001662		Hose, Overflow
022	24001258		Kit, Trunion
023	24001014		Bearing
024	24001019		Seal, Shaft
025	24001661	Not Available	HOSE, AIR DOME
026	24001438	285655	Clamp, Hose
027	24001803	Not Available	SHIM, SHELL
028	24001375	Not Available	KIT, SHIELD RETRO
029	24001184		Gasket Kit
030	24001388	Not Available	KIT, BAND SHELL
031	24001215		Kit, Band Fastener
032	24001215		Kit, Band Fastener
033	24001215		Kit, Band Fastener
034	24001266	Not Available	BASKET (18-2 SPEED)
035	24001384	Not Available	KIT, FRONT SHELL
036	24001657		Bolt
037	24001516		Washer, Flat Pltd.
038	24001353	696392	Hose Clamp
039	24001660		Hose, Drain
040	24001116		Valve, Drain
041	24001565		Hose, Drain
042	24001805	Not Available	TRIM, FRONT PANEL
043	24001659		Bolt
044	24001808		Washer, S.s.
045	24001258		Kit, Trunion
"	24001515		Nut, Fiberlock Pltd.
046	24001130	Not Available	SLEEVE, SFT (2SP)

