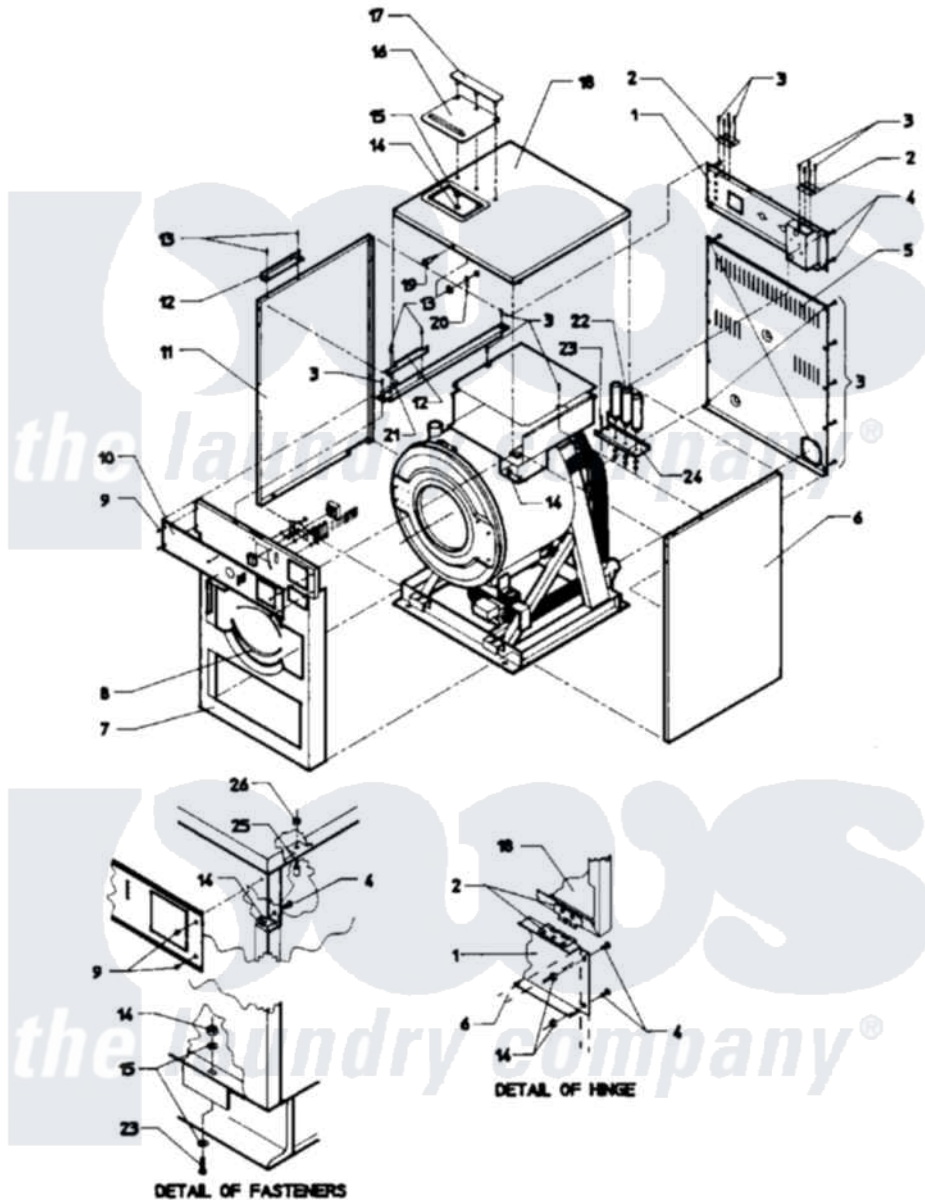


Maytag AT35MN2 01 - MAIN EXPLODED VIEW (FINAL ASSEMBLY)



Maytag Residential Maytag AT35MN2 Washer Parts Parts Diagram 01 - MAIN EXPLODED VIEW (FINAL ASSEMBLY)
 Click on the part number to view part

Item	Original Part Number	Replaced By	Status	Part Description
001	24001169			Panel Kit, Valve
"	24001170		Not Available	PANEL KIT, VALVE
002	Y24001300			Hinge
003	24001301	67006964		Screw, Glide
004	24001323			Screw
005	24001403		Not Available	KIT, PANEL (REAR)
"	Y24001400		Not Available	KIT, PANEL (REAR)
006	24001159		Not Available	PANEL KIT, SIDE (RT.)35 (AS VIEWED FROM FRONT)
"	24001162		Not Available	PANEL KIT, SIDE (RT.)18 (AS VIEWED FROM FRONT)
007	24001677		Not Available	PANEL ASSY. (INR. FRNT.)
"	24001678	24001694		Panel- FRO
008	24001550	24001532		Trim- Pane
009	24001212	212277		Screw, No.8 X 1/2 Inch
010	NLA		Not Available	PANEL, CONTROL
011	24001157		Not Available	PANEL KIT, SIDE (LT.)35

"	NLA		Not Available	PANEL KIT, SIDE (LT.)18
012	24001539		Not Available	BRACKET, SOAP DISPENSER
013	24001540		Not Available	RIVET, BLIND S.S. (1/8 X 5/16)
014	24001510	W1013975Z		Nut
015	24001304			Washer, Flat
016	24001219		Not Available	COVER, SOAP DISPENSER
017	24001542			Clamp, Soap Dispenser
018	24001168			KIT ASSY., TOP COVER
"	NLA		Not Available	COVER KIT, TOP
019	24001220			Lock, Top Cover
020	24001221			Latch, Top Cover
021	24001690		Not Available	BRACE, TOP
"	24001695		Not Available	BRACE, TOP
022	24001236			Capacitor
"	24001237			Capacitor
"	24001238			Capacitor
"	24001239			Capacitor
"	24001240			Capacitor
"	24001241			Capacitor W/Res.
"	24001242			Capacitor
"	24001675		Not Available	RESISTOR (12K OHMS 5 WATT) (W/CENTURY OR ELMO MOTORS)
"	24001698			Capacitor
023	24001303			Screw
024	24001674		Not Available	BRACKET, CAPACITOR
"	24001692		Not Available	BRACKET, CAPACITOR
025	24001546		Not Available	STUD, S.S. (6/32" X 1/4")
026	24001425			Nut, Fiberlock, Pltd

