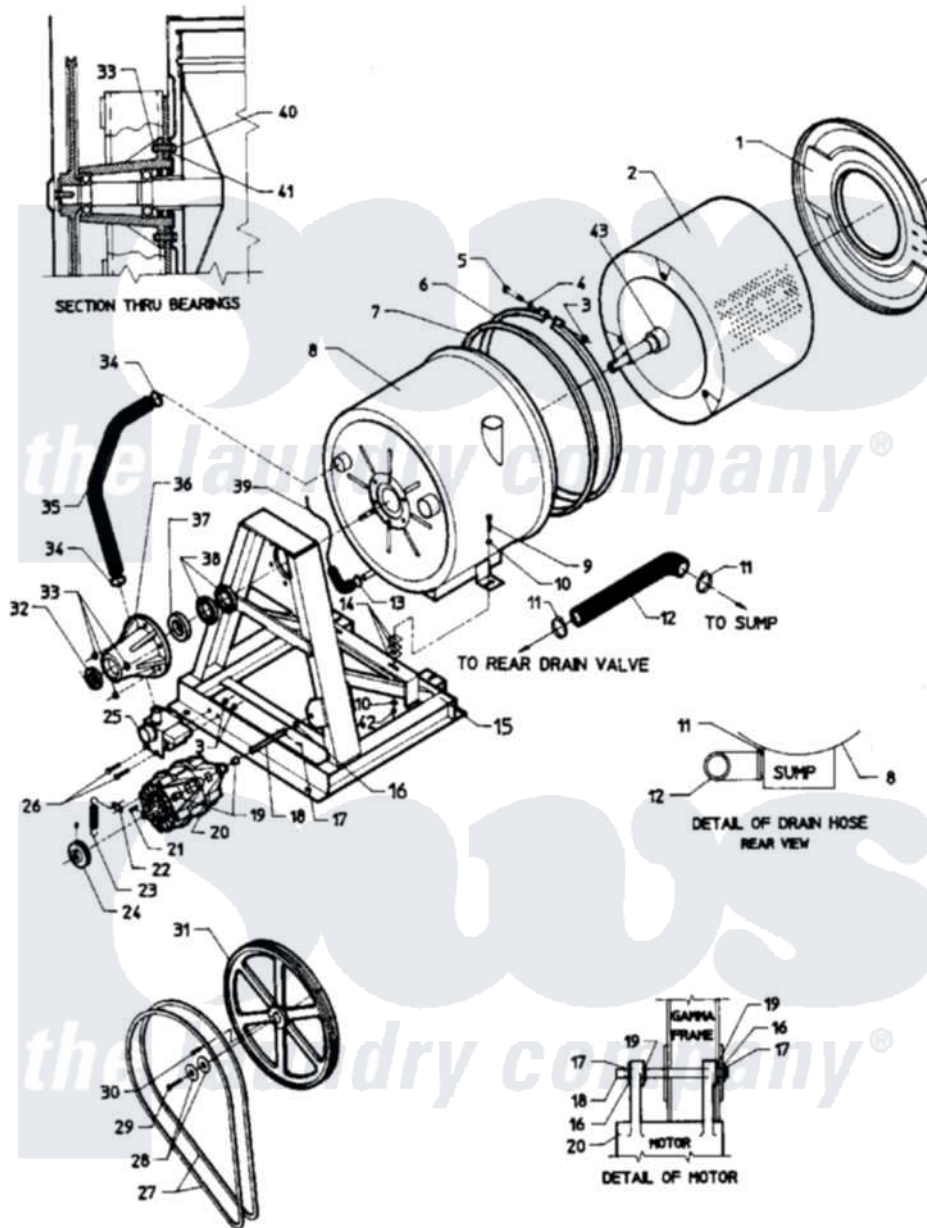


Maytag AT50MN2 09 - MAIN EXPLODED VIEW - SUB ASSEMBLY



Maytag Residential Maytag AT50MN2 Washer Parts Parts Diagram 09 - MAIN EXPLODED VIEW - SUB ASSEMBLY
 Click on the part number to view part

Item	Original Part Number	Replaced By	Status	Part Description
001	NLA		Not Available	FRONT SHELL ASSY.
002	24001392			Kit, Basket
003	24001215			Kit, Band Fastener
004	24001215			Kit, Band Fastener
005	24001215			Kit, Band Fastener
006	NLA		Not Available	KIT, BAND SHELL
007	24001184			Gasket Kit
008	NLA		Not Available	KIT, SHIELD RETRO
"	NLA		Not Available	STRAP, CRADLE MTG. 72" LONG
009	24001657			Bolt
010	24001516			Washer, Flat Pltd.
011	24001353	696392		Hose Clamp
012	24001503			Cup, Supply
013	24001438	285655		Clamp, Hose
014	24001803		Not Available	SHIM, SHELL
				KIT ASSY. FRAME (2

015	24001373	Not Available	KIT ASST., FRAME (2 SPEED)
016	24001812		Washer, Hardened
017	24001512	Not Available	PIN, COTTER PLTD. (1/8X1 1/2)
018	NLA	Not Available	ROD, SUPPORT
019	24001021		Bushing, Motor
020	24001080		Motor, 2SP
"	24001084		Motor, 2SP
021	24001648	Not Available	KEY (MOTOR 3/16" X 1 1/2")
022	24001651	Not Available	CLIP, MOTOR SPRING
023	24001650	Not Available	SPRING (BELT TENSION)
024	24001088		Pulley, Motor
025	24001217		Valve, Drain
"	24001814		Valve, Drain
026	24001502	8204624	Bolt
027	24001404		Belt, V
028	24001501		Washer, Stainless Steel
029	Y24001500		Screw, S.s.
030	24001499	Not Available	KEY (3/8" X 1 1/4")
031	24001087		Pulley, Basket
032	24001016	Not Available	BEARING (6309 2RS C3)
033	24001495		Nut, Fiberlock
034	24001283	Not Available	CLAMP, HOSE (No.28)
035	24001506		Hose, Overflow
036	24001261		Kit, Trunion
037	24002044		Bearing, 6312-2RS
038	24002049		Seal, Shaft
039	24001661	Not Available	HOSE, AIR DOME
040	24001497		Bolt, S.s.
041	24001496		Washer, Flat S.s.
042	24001261		Kit, Trunion
"	24001515		Nut, Fiberlock Pltd.
043	24001272	Not Available	COLLAR (2SP)

