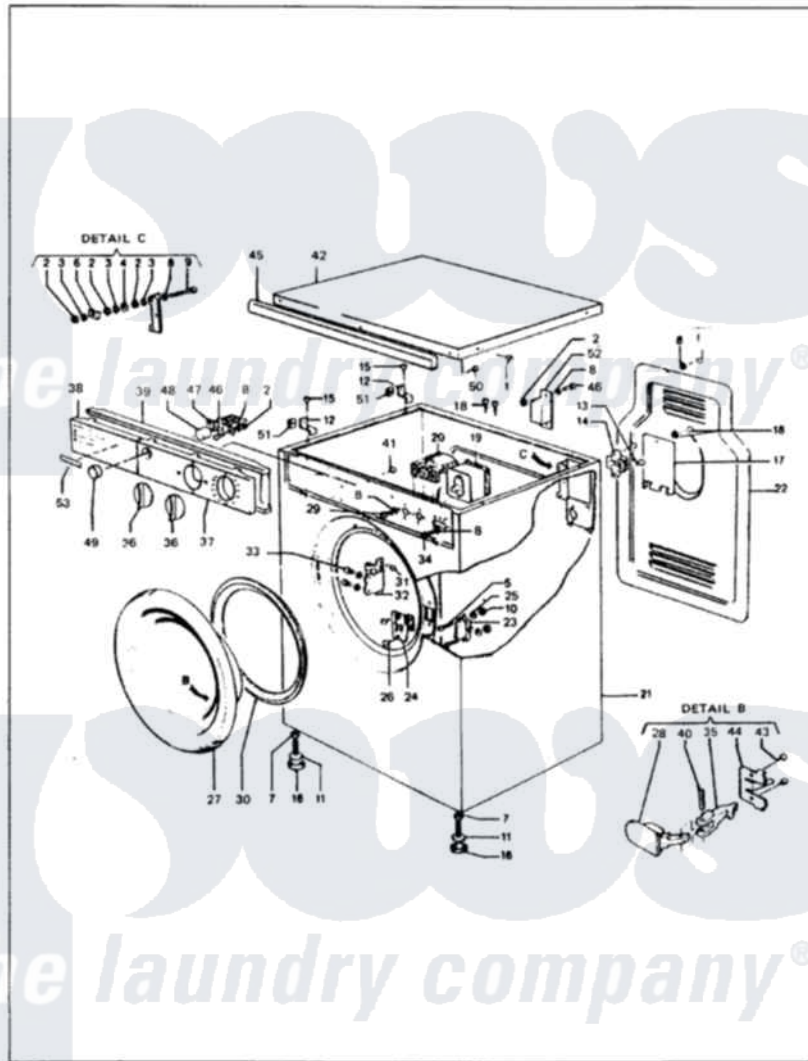


Maytag DCP1085AM 02 - CABINET

MASTER CARE DCP1085 CABINET



Issued 3/86

N-58-1

Maytag [Residential Maytag DCP1085AM Dryer Parts](#) Parts Diagram 02 - CABINET

[Click on the part number to view part](#)

| Item | Original Part Number | Replaced By | Status | Part Description |
|------|----------------------|-------------------------|---------------|-------------------------|
| 1 | 912344102 | | Not Available | SCREW |
| 2 | 920113418 | | Not Available | NUT |
| 3 | 930024322 | | Not Available | WASHER |
| 4 | 930021415 | | Not Available | WASHER, GROUNDING PLATE |
| 5 | 912125109 | 3400409 | | Screw |
| 6 | 111901103 | | Not Available | WASHER |
| 7 | 920115235 | | Not Available | NUT |
| 8 | 930036328 | | Not Available | WASHER |
| 9 | 911149414 | | Not Available | SCREW |
| 10 | 920134133 | | Not Available | NUT |
| 11 | 991170135 | | Not Available | LEVELER |
| 12 | 181770084 | | Not Available | SUPPORT |
| 13 | 912500100 | | Not Available | SCREW |
| 14 | 116990419 | | Not Available | TERMINAL BLOCK |
| 15 | 912353335 | | Not Available | SCREW |
| 17 | 111100679 | | Not Available | COVER |

| | | | |
|----|---------------------------|-----------------------------|------------------|
| 18 | 995500001 | Not Available | SCREW |
| 19 | 186810022 | Not Available | TIMER |
| 20 | 186240097 | Not Available | TEMP SEL SWITCH |
| 21 | 189500037 | Not Available | AM CABINET ASM |
| 22 | 181750012 | Not Available | BACK PANEL |
| 23 | 186240098 | Not Available | DOOR SWITCH |
| 24 | 182990097 | Not Available | LATCH PLATE |
| 25 | 933003511 | Not Available | WASHER |
| 26 | 991350557 | 7101P126-60 | Screw, Frame |
| 27 | 112990010 | Not Available | DOOR ASSEMBLY |
| 28 | 119802497 | | Handle Assembly |
| 29 | 912131137 | 488234 | Screw 8-32 X 1/4 |
| 30 | 184410107 | Not Available | DOOR SEAL |
| 31 | 912200001 | Not Available | SCREW |
| 32 | 113190122 | Not Available | HINGE ASM |
| 33 | 912153130 | Not Available | SCREW |
| 34 | 912131138 | Not Available | SCREW |
| 35 | 182990079 | Not Available | DOOR LATCH |
| 36 | 189990081 | Not Available | KNOB |
| 37 | 182990114 | Not Available | CONTROL FRAME |
| 38 | 182990142 | Not Available | PANEL TRIM |
| 39 | 112400396 | Not Available | CNTRL MTG PLATE |
| 40 | 113900056 | | Latch Pin |
| 41 | 911354239 | Not Available | SCREW |
| 42 | 111100773 | Not Available | AM TOP PANEL |
| 43 | 912121136 | Not Available | SCREW |
| 44 | 113800428 | | Spring |
| 45 | 112902354 | Not Available | TOP PANEL TRIM |
| 46 | 912133410 | Not Available | SCREW |
| 47 | 186990020 | | Switch |
| 48 | 182990081 | Not Available | SPACER |
| 49 | 112902035 | Not Available | PUSHBUTTON |
| 50 | 912362330 | Not Available | SCREW |
| 51 | 940073430 | Not Available | NUT |
| 52 | 186990026 | Not Available | RELAY |
| 53 | 33-9844 | Not Available | NAMEPLATE |
| " | 33-9845 | Not Available | NAMEPLATE |
| " | 35-0548 | Not Available | NAMEPLATE |
| " | 35-0552 | Not Available | NAMEPLATE |
| " | 33-9843 | Not Available | NAMEPLATE |

the laundry company[®]