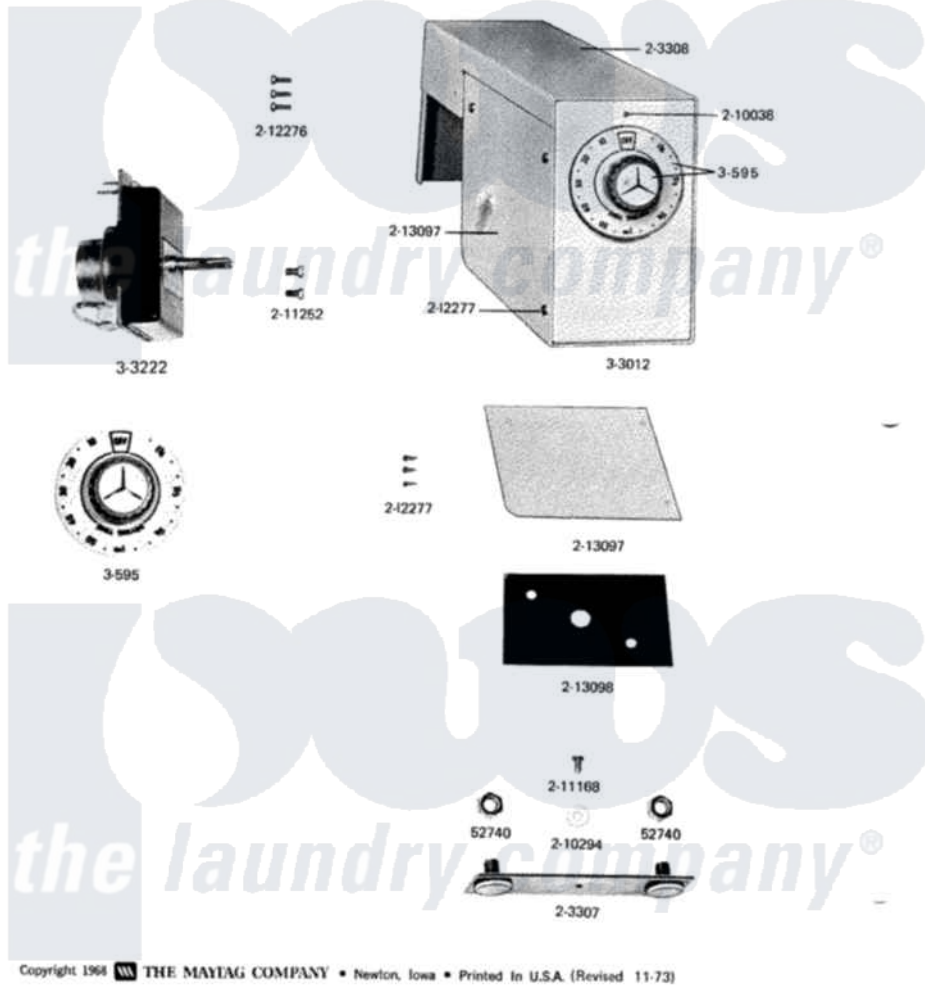


6 **MODELS DE & DG16**
CA CONTROL CENTER



Copyright 1964 THE MAYTAG COMPANY • Newton, Iowa • Printed In U.S.A. (Revised 11-73)

Maytag [Residential Maytag DE16CA Dryer Parts](#) Parts Diagram 02 - CA CONTROL CENTER
Click on the part number to view part

Item	Original Part Number	Replaced By	Status	Part Description
1	300595		Not Available	KNOB AND DIAL
2	303012		Not Available	CONTROL CENTER-WHITE
3	Y303222			TIMER RPR
4	203307		Not Available	MTG. STRAP----NA
5	203308		Not Available	OUTER CASE-WHITE
6	210038			Button Marker
7	210294	910309		Washer, Mounting Strap
8	211168	W10139210		Screw, 8-18 X 5/16
9	211252			Screw, Ground Wire
10	212276	W10116760		Screw
11	212277			Screw, No.8 X 1/2 Inch
12	213097		Not Available	ACCESS DOOR FOR TIMER
13	213098		Not Available	GASKET UNDER CONTROL CENTER
14	Y052740	62739		Nut, Lock