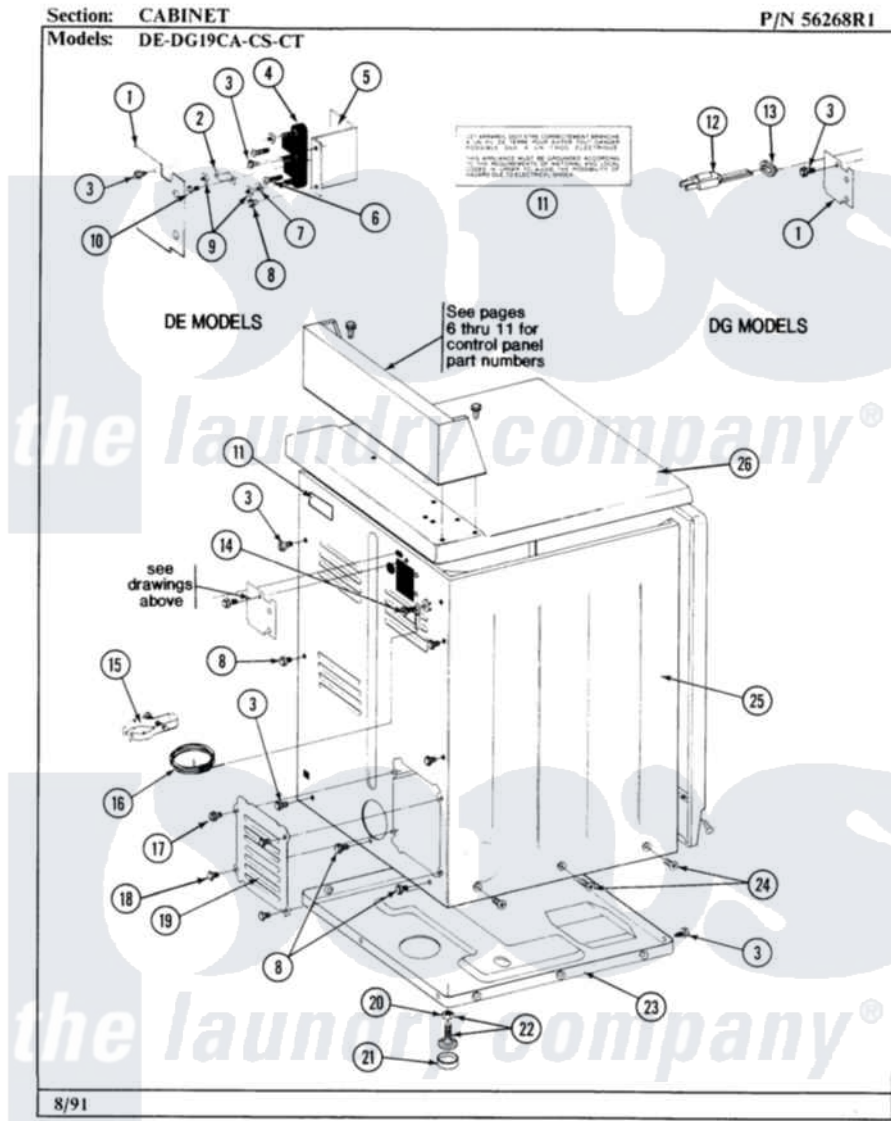


# Maytag DE19CA 02 - CABINET-REAR



4

Maytag Residential Maytag DE19CA Dryer Parts Parts Diagram 02 - CABINET-REAR  
 Click on the part number to view part

Item	Original Part Number	Replaced By	Status	Part Description
001	Y312905		Not Available	COVER, TERMINAL
002	<a href="#">Y312184</a>			Strap, Grounding
003	<a href="#">Y313561</a>			Screw---NA
004	<a href="#">400008</a>			Block, Terminal
005	<a href="#">Y312904</a>			Bracket, Terminal Block
006	Y312209	<a href="#">W10001200</a>		Screw
007	<a href="#">Y311270</a>			Washer, Terminal Block
008	Y310632	<a href="#">1163839</a>		Screw
009	311484	<a href="#">112432</a>		Nut
010	Y311423	<a href="#">489483</a>		Screw 10-32 X 1/2
011	214519			LABEL, ELECTRICAL INSTR. PART NOT USED-GAS MODELS ONLY
012	302521		Not Available	CORD, POWER PART NOT USED-GAS MODELS ONLY
013	<a href="#">211881</a>			Grommet, Cord Part Not Used-Gas Models Only
014	NLA		Not Available	SCREW & WASHER ASSY.

015	<a href="#">301548</a>		Clamp, Ground Wire
016	<a href="#">311155</a>		Ground Wire And Clamp
017	<a href="#">Y313559</a>		Screw
018	211294	<a href="#">90767</a>	Screw, 8A X 3/8 HeX Washer Head Tapping
019	Y312951	Not Available	ACCESS COVER, BACK
020	Y052740	<a href="#">62739</a>	Nut, Lock
021	<a href="#">Y314137</a>		Foot, Rubber
022	<a href="#">Y305086</a>		Adjustable Leg And Nut
023	Y303361	Not Available	BASE ASSY. (UPPER & LOWER)
024	<a href="#">213007</a>		Xfor Cabinet See Cabinet, Back
025	NLA	Not Available	CABINET (WHT)
026	NLA	Not Available	(ALM)
"	Y305190	<a href="#">307104</a>	Top Cover Assembly

