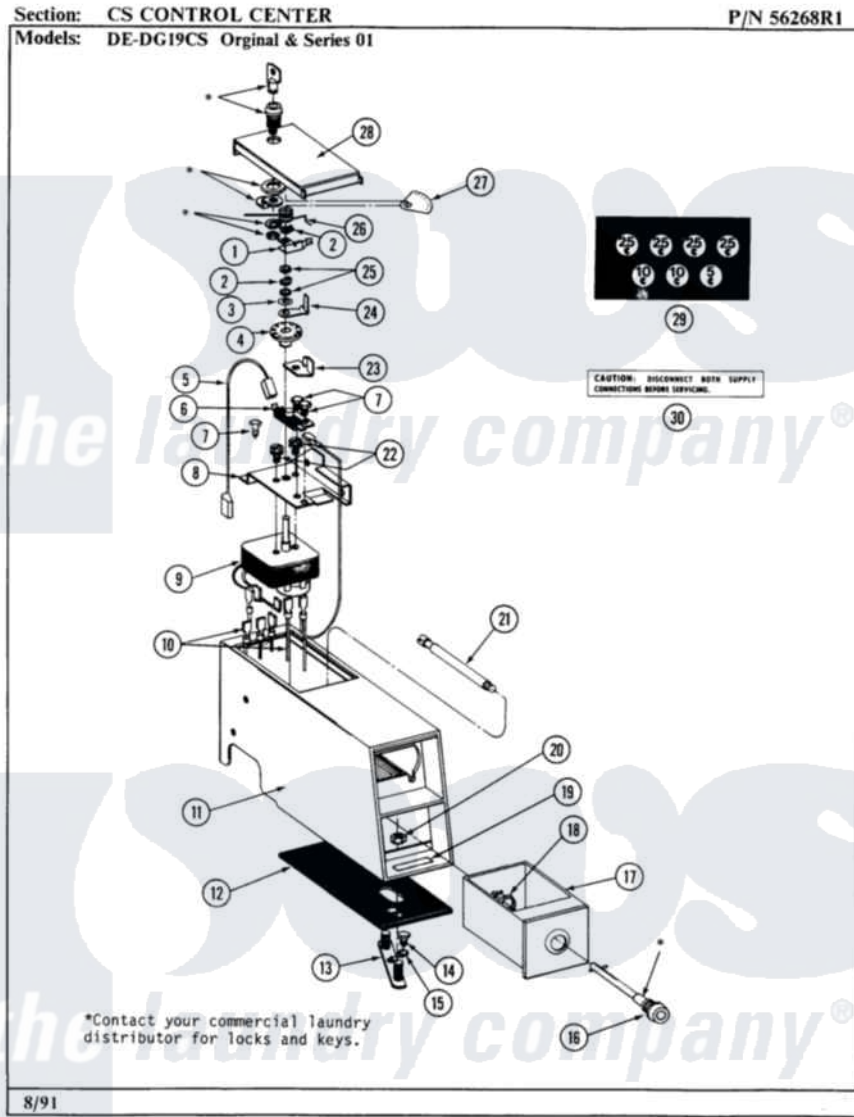


Maytag DE19CS 09 - CONTROL CENTER



12

Maytag Residential Maytag DE19CS Dryer Parts Parts Diagram 09 - CONTROL CENTER
 Click on the part number to view part

Item	Original Part Number	Replaced By	Status	Part Description
001	Y312068			Return Lever
002	211790			Lock Ring For Timer Shaft
003	312073			Spring Washer
004	NLA		Not Available	RATCHET FOR TIMER
005	Y303707			Wire Assembly
006	Y301774			Switch For Coin Slide
007	211168	W10139210		Screw, 8-18 X 5/16
008	312250			Timer Support Bracket
009	NLA		Not Available	TIMER MOTOR
"	Y303743			Timer
010	NLA		Not Available	MAIN WIRE HARNESS
011	305395			OUTER CASE-WHITE----NA
"	NLA		Not Available	OUTER CASE-ALMOND
012	214660			Gasket, Control Center
013	NLA		Not Available	MTG. STRAP----NA
014	211294	90767		Screw, 8A X 3/8 HeX Washer Head Tapping

015	910309		Washer, Mounting Strap
016	NLA	Not Available	SPRING WASHER FOR LOCK
017	205423	208883	Coin Box K
"	205423L	208883	Coin Box K
"	205423M	208883	Coin Box K
018	212328	W10139762	Hex Nut, 3/4-27
019	Y313439	Not Available	INSTRUCTION LABEL
020	Y052740	62739	Nut, Lock
021	213035		Bolt, Locking
022	211251		Screw, Transformer
023	Y312069		Stop For Actuator
024	Y313309		Timer Actuator Lever
025	410730		Washer
026	Y312071		Return Spring For Actuator
027	314073		Time Indicator Gage
028	203188	Not Available	TIMER ACCESS DOOR (WHT)
"	203188L	Not Available	ACCESS DOOR-ALMOND
"	203188M	Not Available	ACCESS DOOR-HARVEST WHEAT
029	214648		Decal, Coinage
030	Y313439	Not Available	INSTRUCTION LABEL

