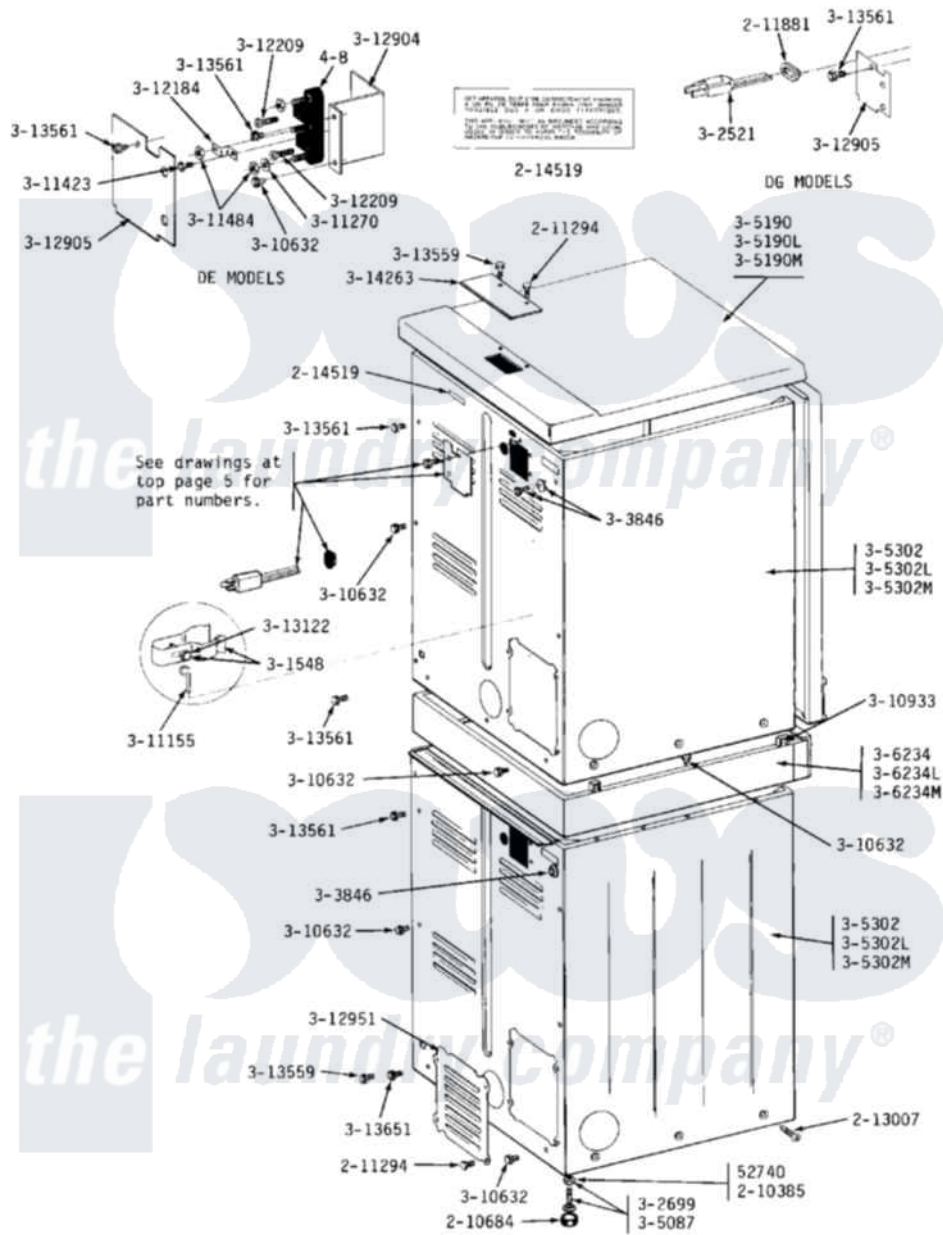


Maytag DE23CD 02 - REAR VIEW



Maytag Residential Maytag DE23CD Dryer Parts Parts Diagram 02 - REAR VIEW

Click on the part number to view part

| Item | Original Part Number | Replaced By | Status | Part Description |
|------|------------------------|--------------------------|---------------|--|
| 001 | Y052740 | 62739 | | Nut, Lock |
| 002 | 210385 | | | Lock Nut For Adjustable Leg |
| 003 | 210684 | | | Foot, Adjustable Leg |
| 004 | 211294 | 90767 | | Screw, 8A X 3/8 HeX Washer Head Tapping |
| 005 | 213007 | | | Xfor Cabinet See Cabinet, Back |
| 006 | 214519 | | | LABEL, ELECTRICAL INSTR. PART NOT USED-GAS MODELS ONLY |
| 007 | 301548 | | | Clamp, Ground Wire |
| 008 | Y302699 | 22003428 | | Leg, Adjustable |
| 009 | NLA | | Not Available | SCREW & WASHER ASSY. |
| 010 | Y305087 | 22003544 | | Adjustable Leg W/Foot And Nut |
| 011 | Y305190 | 307104 | | Top Cover Assembly |
| 012 | NLA | | Not Available | (ALM) |
| 013 | NLA | | Not Available | (H. WHEAT) |

| | | | | |
|-----|-------------------------|---------------------------|---------------|----------------------------|
| 014 | NLA | | Not Available | CABINET (WHT) |
| 015 | NLA | | Not Available | (ALM) |
| 016 | NLA | | Not Available | (H. WHEAT) |
| 017 | NLA | | Not Available | COUPLING COLLAR (WHT) |
| 018 | NLA | | Not Available | (ALM) |
| 019 | NLA | | Not Available | (H. WHEAT) |
| 020 | Y310632 | 1163839 | | Screw |
| 021 | 310933 | 33002194 | | Nut, Speed |
| 022 | 311155 | | | Ground Wire And Clamp |
| 023 | Y311423 | 489483 | | Screw 10-32 X 1/2 |
| 024 | 311484 | 112432 | | Nut |
| 025 | Y312184 | | | Strap, Grounding |
| 026 | Y312209 | W10001200 | | Screw |
| 027 | Y312904 | | | Bracket, Terminal Block |
| 028 | Y312905 | | Not Available | COVER, TERMINAL |
| 029 | Y312951 | | Not Available | ACCESS COVER, BACK |
| 030 | 313122 | | | Screw - Baffle To Tumbler |
| 031 | Y313559 | | | Screw |
| 032 | Y313561 | | | Screw---NA |
| 033 | NLA | | Not Available | TOP COVER PLATE |
| 034 | 314663 | 214354 | | Screw, Top Cover To Cabnt. |
| 035 | 400008 | | | Block, Terminal |

