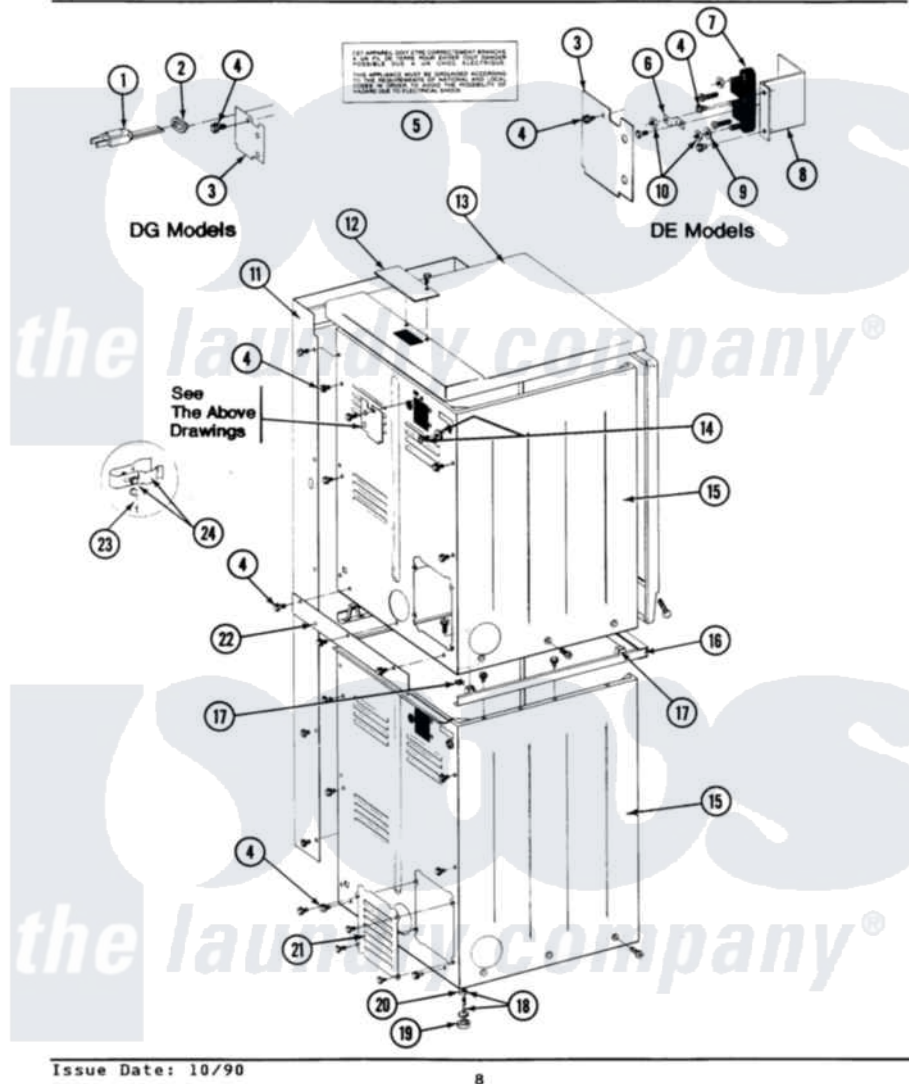


# Maytag DE27CS 08 - REAR VIEW

SECTION: REAR VIEW  
MODEL: DE-DG27CS-CT



Issue Date: 10/90

8

Maytag [Residential Maytag DE27CS Dryer Parts](#) Parts Diagram 08 - REAR VIEW  
Click on the part number to view part

Item	Original Part Number	Replaced By	Status	Part Description
001	302521		Not Available	CORD, POWER PART NOT USED-GAS MODELS ONLY
002	<a href="#">211881</a>			Grommet, Cord Part Not Used-Gas Models Only
003	Y312905		Not Available	COVER, TERMINAL
004	<a href="#">Y313561</a>			Screw----NA
005	214519			LABEL, ELECTRICAL INSTR. PART NOT USED-GAS MODELS ONLY
006	Y311423	<a href="#">489483</a>		Screw 10-32 X 1/2
"	<a href="#">Y312184</a>			Strap, Grounding
007	<a href="#">400008</a>			Block, Terminal
"	Y312209	<a href="#">W10001200</a>		Screw
008	<a href="#">Y312904</a>			Bracket, Terminal Block
009	<a href="#">Y311270</a>			Washer, Terminal Block
010	311484	<a href="#">112432</a>		Nut
011	NLA		Not Available	SCREW
012	NLA		Not Available	COVER PLATE

"	<a href="#">Y313559</a>		Screw
013	<a href="#">307104</a>		Top Cover Assembly
"	NLA	Not Available	TOP COVER ASSY
014	NLA	Not Available	SCREW & WASHER ASSY.
015	<a href="#">213007</a>		Xfor Cabinet See Cabinet, Back
"	307125	Not Available	CABINET, LOWER (WHITE)
"	NLA	Not Available	CABINET, LOWER (ALMOND)
"	Y310632	<a href="#">1163839</a>	Screw
016	911050	<a href="#">4312464</a>	Screw
"	NLA	Not Available	SPACER ASSM-WHITE
"	Y310632	<a href="#">1163839</a>	Screw
017	310933	<a href="#">33002194</a>	Nut, Speed
018	Y302699	<a href="#">22003428</a>	Leg, Adjustable
019	<a href="#">210684</a>		Foot, Adjustable Leg
020	<a href="#">210385</a>		Lock Nut For Adjustable Leg
021	211294	<a href="#">90767</a>	Screw, 8A X 3/8 HeX Washer Head Tapping
"	Y312951	Not Available	ACCESS COVER, BACK
"	<a href="#">Y313559</a>		Screw
022	NLA	Not Available	FILLER STRIP
"	Y310632	<a href="#">1163839</a>	Screw
023	<a href="#">311155</a>		Ground Wire And Clamp
024	<a href="#">301548</a>		Clamp, Ground Wire
"	<a href="#">313122</a>		Screw - Baffle To Tumbler

