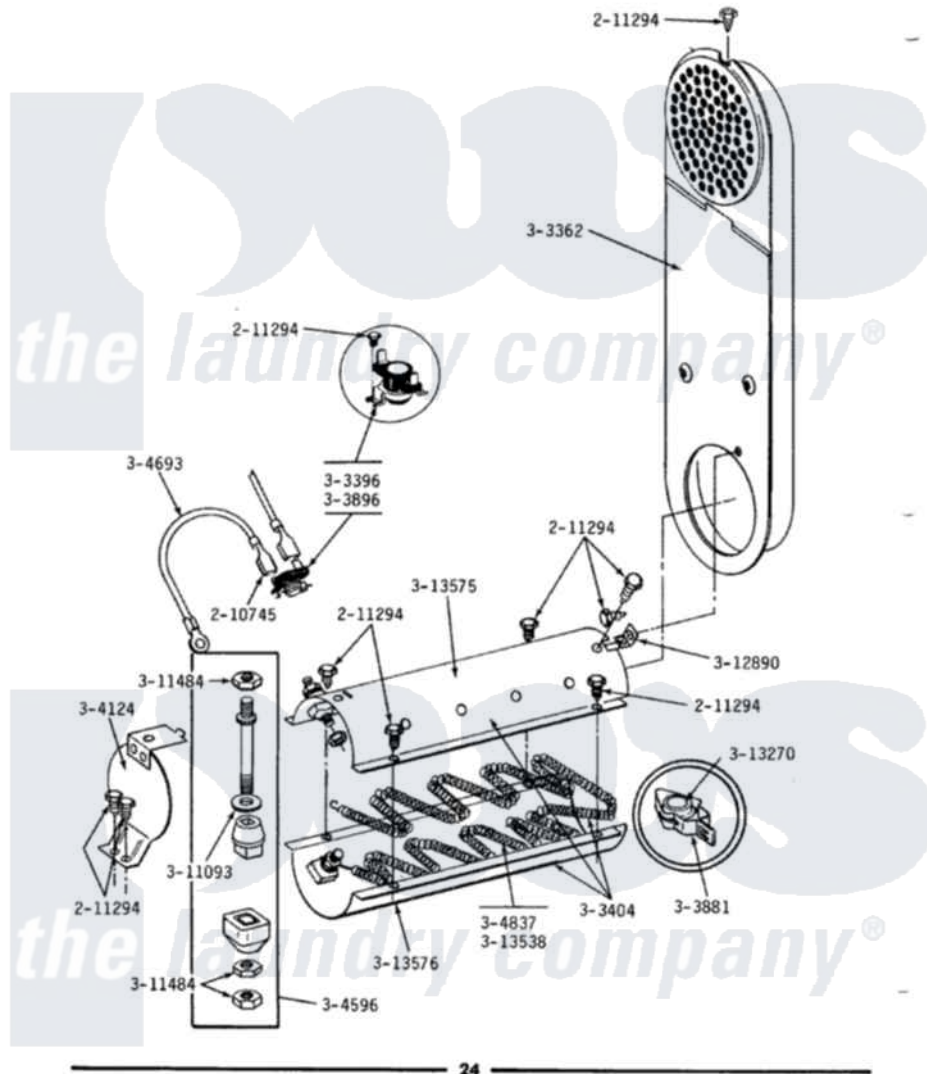


# Maytag DE808 04 - INLET DUCT & HEATER ASSEMBLY

## ALL DE MODELS INLET DUCT & HEATER ASSEMBLY



24

Maytag Residential Maytag DE808 Dryer Parts Parts Diagram 04 - INLET DUCT & HEATER ASSEMBLY  
 Click on the part number to view part

Item	Original Part Number	Replaced By	Status	Part Description
1	<a href="#">210745</a>			Wire Terminal
2	211294	<a href="#">90767</a>		Screw, 8A X 3/8 HeX Washer Head Tapping
3	<a href="#">Y303362</a>			Inlet Duct Assembly - DE
4	<a href="#">303396</a>			Thermostat, Hi-Limit
5	<a href="#">Y303404</a>			Heater Assembly Complete
6	<a href="#">Y303881</a>			Clip And Insulator Assembly
7	<a href="#">303896</a>			Hi-Limit Thermostat-Canada
8	304124		Not Available	HEATER SHIELD
9	<a href="#">Y304596</a>			Terminal Insulator Assembly
10	<a href="#">Y304693</a>			Jumper Wire
11	Y304837	<a href="#">W10116793</a>		Element
12	<a href="#">311093</a>			Washer, Terminal Connection
13	311484	<a href="#">112432</a>		Nut
14	<a href="#">Y312890</a>			Retainer, Heater Chamber
15	<a href="#">Y313270</a>			Insulator For Heater Elemen
16	<a href="#">Y313538</a>			Heater Element 240 Volt

