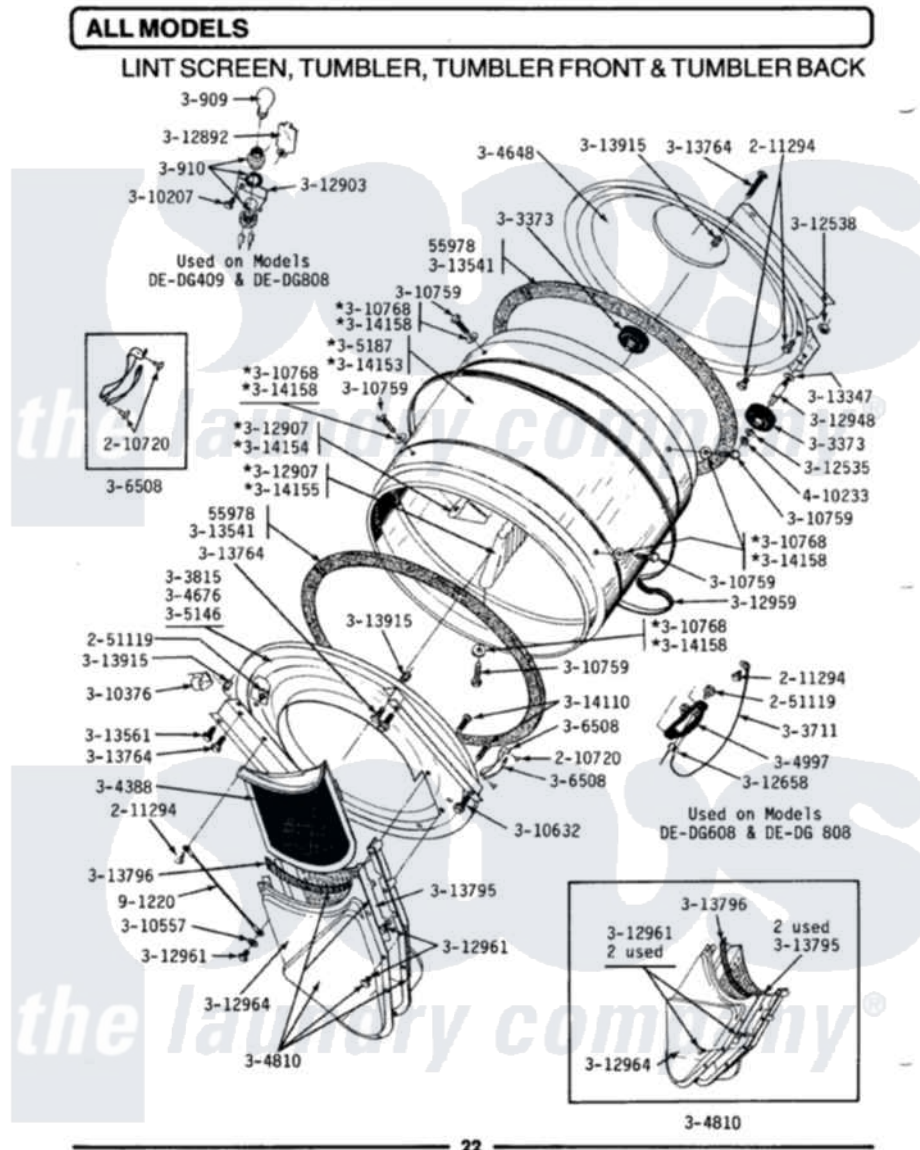


# Maytag DE808 06 - LINT SCREEN, TUMBLER (FRONT & BACK)



Maytag Residential Maytag DE808 Dryer Parts Parts Diagram 06 - LINT SCREEN, TUMBLER (FRONT & BACK)  
 Click on the part number to view part

| Item | Original Part Number    | Replaced By              | Status        | Part Description                        |
|------|-------------------------|--------------------------|---------------|-----------------------------------------|
| 1    | <a href="#">Y053241</a> |                          |               | Set Screw, Motor Pulley                 |
| 2    | <a href="#">Y055978</a> |                          |               | Rubber Adhesive, 2 Oz Tube              |
| 3    | <a href="#">210720</a>  |                          |               | Rivet, Bearing To Tumbler Fmt           |
| 4    | 211294                  | <a href="#">90767</a>    |               | Screw, 8A X 3/8 HeX Washer Head Tapping |
| 5    | Y251119                 | <a href="#">3177991</a>  |               | Screw                                   |
| 6    | 300909                  | <a href="#">8009</a>     |               | Bulb-Light                              |
| 7    | 300910                  |                          | Not Available | RECEPTACLE                              |
| 8    | Y303373                 | <a href="#">12001541</a> |               | Drum Roller/Washer Assembly--W          |
| 9    | <a href="#">Y303711</a> |                          |               | Sensor Ground Wire                      |
| 11   | <a href="#">Y304244</a> |                          |               | Motor Pulley With Set Screw             |
| 12   | Y304388                 | <a href="#">33001003</a> |               | Screen, Lint                            |
| 13   | Y304648                 | <a href="#">33001106</a> |               | Back, Tumbler                           |
| 15   | Y304810                 |                          | Not Available | OUTLET DUCT ASSEMBLY---S                |
| 16   | <a href="#">304997</a>  |                          |               | Sensor Assembly With Screws             |

|    |                         |                           |               |                                |
|----|-------------------------|---------------------------|---------------|--------------------------------|
| 18 | Y305185                 | <a href="#">6-3051850</a> |               | Pulley- MO                     |
| 19 | 305187                  |                           | Not Available | TUMBLER W/BAFFLES              |
| 20 | <a href="#">306508</a>  |                           |               | Tumbler Bearing Kit ---W       |
| 21 | <a href="#">310207</a>  |                           |               | Screw, No.6 X 1/4 Inch         |
| 22 | <a href="#">Y310376</a> |                           |               | Clip, Door Switch Harness      |
| 23 | <a href="#">310557</a>  |                           |               | Washer                         |
| 24 | Y310632                 | <a href="#">1163839</a>   |               | Screw                          |
| 25 | <a href="#">Y310759</a> |                           |               | Screw, Tumbler Baffles         |
| 26 | 310768                  |                           | Not Available | WASHER                         |
| 27 | <a href="#">312535</a>  |                           |               | Washer, Vault Mounting Brk.    |
| 28 | 312538                  | <a href="#">33001443</a>  |               | Nut, Hex                       |
| 29 | <a href="#">Y312658</a> |                           |               | Receptacle, Sensor Ground Wire |
| 30 | Y312892                 | <a href="#">33312892</a>  |               | Lens                           |
| 31 | 312903                  |                           | Not Available | LAMP BRACKET                   |
| 32 | <a href="#">Y312907</a> |                           |               | Tumbler Baffle                 |
| 33 | Y312948                 | <a href="#">6-3129480</a> |               | Shaft- Tumbler                 |
| 34 | <a href="#">Y312959</a> |                           |               | Poly "V" Belt For Tumbler      |
| 35 | Y312961                 | <a href="#">W10116751</a> |               | Screw                          |
| 36 | Y312964                 |                           | Not Available | OUTLET DUCT - OUTER HALF       |
| 37 | Y313347                 | <a href="#">312535</a>    |               | Washer, Vault Mounting Brk.    |
| 38 | Y313541                 | <a href="#">33313541</a>  |               | Seal- Tumbler                  |
| 39 | <a href="#">Y313561</a> |                           |               | Screw---NA                     |
| 40 | 313764                  |                           | Not Available | SCREW                          |
| 41 | <a href="#">Y313795</a> |                           |               | Guide For Lint Screen          |
| 42 | <a href="#">Y313796</a> |                           |               | Lint Seal                      |
| 43 | 313915                  | <a href="#">31-3915</a>   |               | Tech Sheet                     |
| 44 | Y314110                 | <a href="#">33002917</a>  |               | Screw, No.10-16                |
| 45 | Y314153                 |                           | Not Available | TUMBLER No.                    |
| 46 | 314154                  |                           | Not Available | TUMBLER BAFFLE - SHORT         |
| 47 | 314155                  | <a href="#">33001004</a>  |               | Baffle, Tall                   |
| 48 | <a href="#">314158</a>  |                           |               | Washer, Baffle To Tumbler      |
| 49 | 410233                  | <a href="#">9703438</a>   |               | Ring-Retrn                     |
| 50 | <a href="#">901220</a>  |                           |               | Ground Wire                    |

