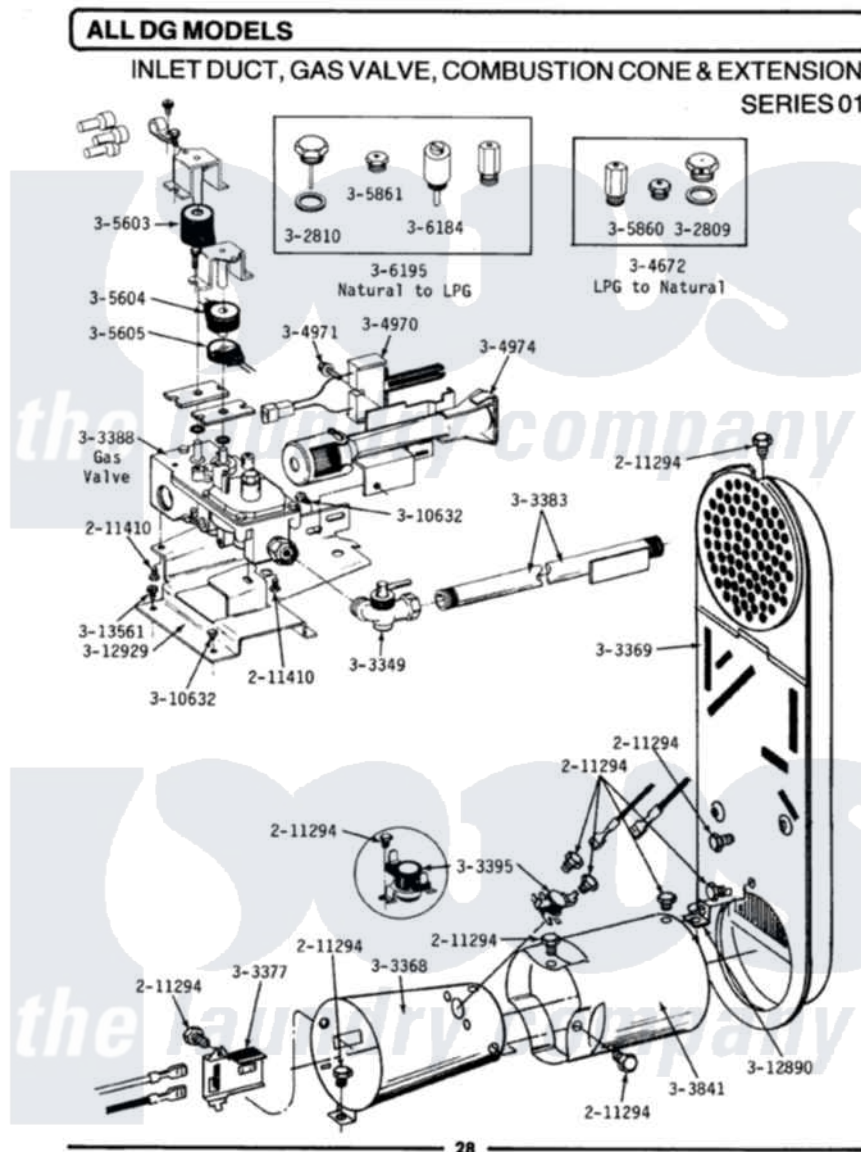


Maytag DG107 04 - INLET DUCT, GAS VALVE, CONE & EXT. (01)



Maytag Residential Maytag DG107 Dryer Parts Parts Diagram 04 - INLET DUCT, GAS VALVE, CONE & EXT. (01)
 Click on the part number to view part

| Item | Original Part Number | Replaced By | Status | Part Description |
|------|---------------------------|--------------------------|--------|----------------------------------------------------------|
| 1 | 211294 | 90767 | | Screw, 8A X 3/8 HeX Washer Head Tapping |
| 2 | 211410 | | | Screw, HeX Head No.8 X 3/8 Inch |
| 3 | 302809 | | | Screw Assembly - Leak Limit |
| 4 | 302810 | | | Screw Assembly - Blue Block Ope |
| 5 | Y303349 | | | Angle Shut-Off, Gas Valve |
| 6 | Y303368 | | | Cone, Combustion |
| 7 | Y303369 | | | Inlet Duct Assembly |
| 8 | Y303377 | 338906 | | Radiant, Sensor |
| 9 | Y303383 | 33001735 | | Pipe And Bracket Assembly Series 18 Not Needed Use Vavle |
| 10 | W10116794 | | | Gas Valve |
| 11 | 303395 | | | Thermostat, Hi-Limit |
| 12 | Y303841 | | | Cone, Extension |
| 13 | Y304672 | | | Conversion Kit-LPG To Nat. |

| | | | |
|----|-------------------------|----------------------------|-------------------------------------------------|
| 14 | 304970 | 4391996 | Ignitor |
| 15 | 304971 | | Screw Note: Screw, Igniter |
| 16 | 304974 | 33002793 | Burner Assembly |
| 17 | 305603 | | Secondary Coil |
| 18 | 305604 | | Holding Coil |
| 19 | 305605 | | Booster Coil |
| 20 | 305860 | | Not Available MAIN BURNER ORIFICE KIT-NAT |
| 21 | 305861 | | Not Available MAIN BURNER ORIFICE KIT-LPG |
| 22 | 305862 | | Not Available MAIN BURNER ORIFICE KIT-MIX |
| 23 | 305863 | 0305863 | Harness Ignition WI |
| 24 | 306184 | | Not Available PLUG, BLOCKING (LPG REGULATOR) |
| 25 | Y306195 | MAL9000AXX | LP Gas Con |
| 26 | Y310632 | 1163839 | Screw |
| 27 | Y312890 | | Retainer, Heater Chamber |
| 28 | 312929 | | Gas Valve Bracket |
| 29 | Y313561 | | Screw---NA |

