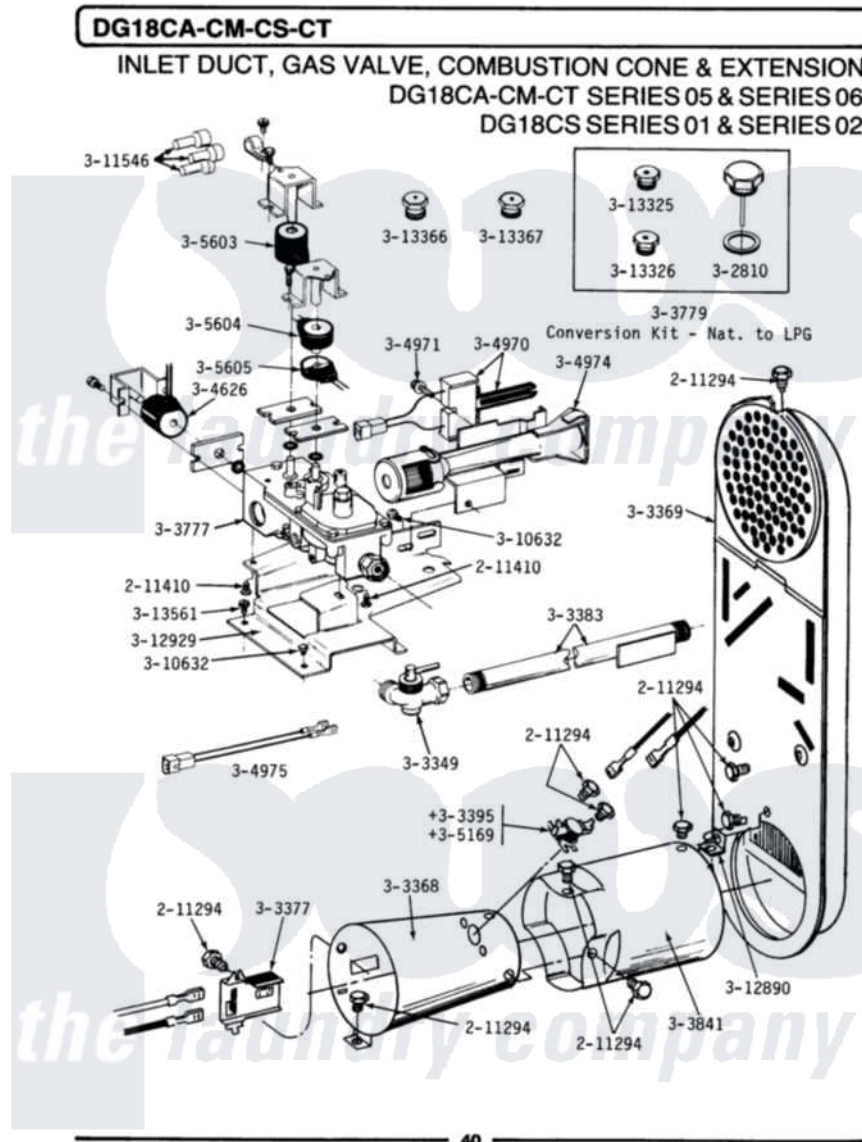


# Maytag DG18CM 15 - INLET DUCT, GAS VALVE, CONE & EXTENSION



Maytag Residential Maytag DG18CM Dryer Parts Parts Diagram 15 - INLET DUCT, GAS VALVE, CONE & EXTENSION  
 Click on the part number to view part

Item	Original Part Number	Replaced By	Status	Part Description
001	211294	<a href="#">90767</a>		Screw, 8A X 3/8 HeX Washer Head Tapping
002	NLA		Not Available	SCREW, HEX HD No.8 X 3/8 INCH
003	NLA		Not Available	SCREW ASSM - BLUE BLOCK OPE
004	<a href="#">Y303349</a>			Angle Shut-Off, Gas Valve
005	<a href="#">Y303368</a>			Cone, Combustion
006	<a href="#">Y303369</a>			Inlet Duct Assembly
007	Y303377	<a href="#">338906</a>		Radiant, Sensor
008	Y303383	<a href="#">33001735</a>		Pipe And Bracket Assembly Series 18 Not Needed Use Vavle
009	<a href="#">303395</a>			Thermostat, Hi-Limit
010	Y303777	<a href="#">W10116794</a>		Gas Valve
011	<a href="#">Y303779</a>			Conversion Kit
012	<a href="#">Y303841</a>			Cone, Extension
013	<a href="#">Y304626</a>			Side Coil

014	304970	<a href="#">4391996</a>	Ignitor
015	<a href="#">304971</a>		Screw Note: Screw, Igniter
016	304974	<a href="#">33002793</a>	Burner Assembly
017	<a href="#">304975</a>		Gas Valve Harness
018	<a href="#">305169</a>		Thermostat, Hi-Limit Gas
019	<a href="#">305603</a>		Secondary Coil
020	<a href="#">305604</a>		Holding Coil
021	<a href="#">305605</a>		Booster Coil
022	Y310632	<a href="#">1163839</a>	Screw
023	311546	<a href="#">911445</a>	Wire Connector
024	<a href="#">Y312890</a>		Retainer, Heater Chamber
025	<a href="#">312929</a>		Gas Valve Bracket
026	NLA	Not Available	MAIN BURNER ORIFICE - LPG
027	NLA	Not Available	INTERNAL ORIFICE - LPG
028	<a href="#">313366</a>		Main Burner Orifice-Ext-NAT
029	<a href="#">313367</a>		Main Burner Orifice-Int-NAT
030	<a href="#">Y313561</a>		Screw---NA

