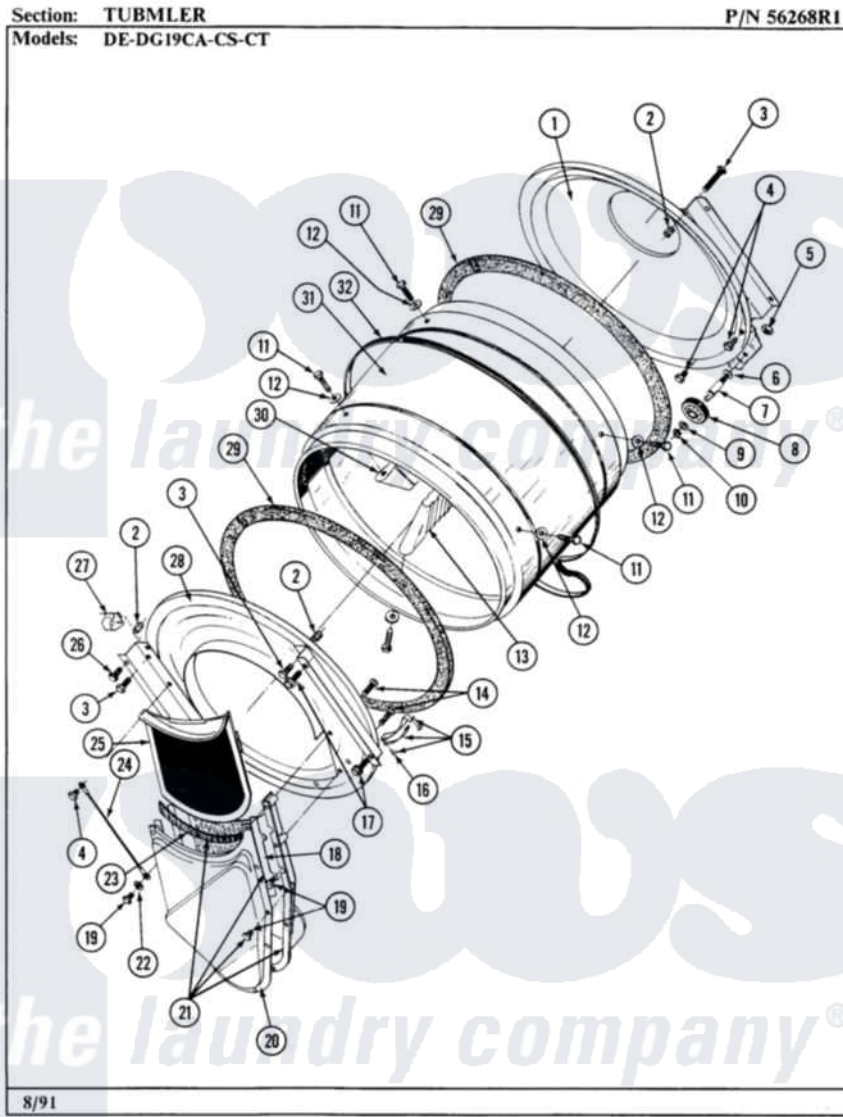


# Maytag DG19CT 04 - TUMBLER



26

Maytag Residential Maytag DG19CT Dryer Parts Parts Diagram 04 - TUMBLER  
Click on the part number to view part

Item	Original Part Number	Replaced By	Status	Part Description
001	Y306660	<a href="#">33001106</a>		Back, Tumbler
002	NLA		Not Available	COVER, THREAD
003	NLA		Not Available	SCREW
004	211294	<a href="#">90767</a>		Screw, 8A X 3/8 HeX Washer Head Tapping
005	312538	<a href="#">33001443</a>		Nut, Hex
006	Y313347	<a href="#">312535</a>		Washer, Vault Mounting Brk.
007	Y312948	<a href="#">6-3129480</a>		Shaft- Tumbler
008	Y303373	<a href="#">12001541</a>		Drum Roller/Washer Assembly--W
009	<a href="#">312535</a>			Washer, Vault Mounting Brk.
010	410233	<a href="#">9703438</a>		Ring-Retrn
011	<a href="#">Y310759</a>			Screw, Tumbler Baffles
012	<a href="#">314158</a>			Washer, Baffle To Tumbler
013	314155	<a href="#">33001004</a>		Baffle, Tall
"	314804	<a href="#">33001004</a>		Baffle, Tall
014	Y314110	<a href="#">33002917</a>		Screw, No.10-16

015	<a href="#">306508</a>		Tumbler Bearing Kit ----W
016	<a href="#">210720</a>		Rivet, Bearing To Tumbler Fmt
017	Y310632	<a href="#">1163839</a>	Screw
018	<a href="#">Y313795</a>		Guide For Lint Screen
019	Y312961	<a href="#">W10116751</a>	Screw
020	Y312964	Not Available	OUTLET DUCT - OUTER HALF
021	306657	Not Available	OUTLET DUCT & GRID
022	<a href="#">310557</a>		Washer
023	<a href="#">Y313796</a>		Lint Seal
024	NLA	Not Available	TICKETS (1000) 2-14146
025	Y306665	<a href="#">33001003</a>	Screen, Lint
026	<a href="#">Y313561</a>		Screw----NA
027	<a href="#">Y310376</a>		Clip, Door Switch Harness
028	NLA	Not Available	TUMBLER FRONT----NA
029	<a href="#">314820</a>		Seal, Tumbler
"	<a href="#">Y055978</a>		Rubber Adhesive, 2 Oz Tube
"	Y313541	<a href="#">33313541</a>	Seal- Tumbler
030	314803	<a href="#">33001012</a>	Baffle
"	NLA	Not Available	PART NOT USED
031	305187	Not Available	TUMBLER W/BAFFLES
"	306663	Not Available	TUMBLER W/BAFFLES
032	<a href="#">Y312959</a>		Poly "V" Belt For Tumbler

