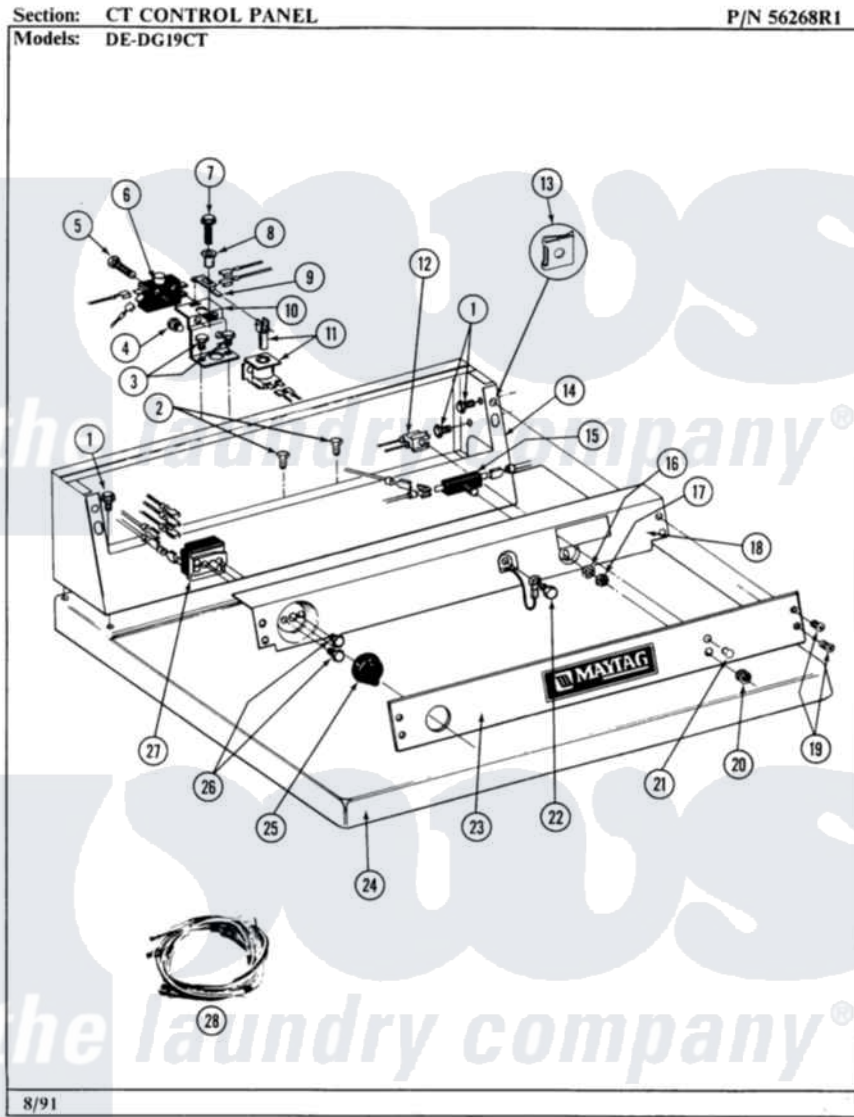


Maytag DG19CT 07 - CONTROL PANEL



10

Maytag [Residential Maytag DG19CT Dryer Parts](#) Parts Diagram 07 - CONTROL PANEL
 Click on the part number to view part

| Item | Original Part Number | Replaced By | Status | Part Description |
|------|------------------------|---------------------------|---------------|---|
| 001 | 212276 | W10116760 | | Screw |
| 002 | 211294 | 90767 | | Screw, 8A X 3/8 HeX Washer Head Tapping |
| " | Y314322 | 211251 | | Screw, Transformer |
| 003 | 211294 | 90767 | | Screw, 8A X 3/8 HeX Washer Head Tapping |
| 004 | 212951 | | | Screw, No.6-32 X 1/4 Inch |
| 005 | 212950 | M0227520 | | Screw-Tc No.6-32 X 13/16", Preform SwiTch |
| 006 | Y303787 | | Not Available | SWITCH FOR RELAY |
| 007 | 212949 | 22001866 | | Screw, Relay |
| 008 | NLA | | Not Available | SPACER, ADVANCE RELAY |
| 009 | NLA | | Not Available | SPRING LEVER, RELAY |
| 010 | NLA | | Not Available | RELAY BRACKET |
| 011 | 305393 | | | Solenoid For Relay Assembly |
| 012 | NLA | | Not Available | PILOT LIGHT |
| 013 | 215003 | | | Fastener, Panel And Bracket |

| | | | |
|-----|-------------------------|------------------------|-----------------------------|
| 014 | 305213 | | Console-White |
| " | NLA | Not Available | (ALM) |
| 015 | Y303318 | | Switch Assembly With Hex Nu |
| 016 | 312751 | | Lockwasher, Start Switch |
| 017 | Y312706 | 422617 | Nut |
| 018 | NLA | Not Available | BACK UP PLATE (WHT) |
| 019 | 212277 | | Screw, No.8 X 1/2 Inch |
| 020 | Y312702 | | Knurled Nut, Start Switch |
| 021 | 213099 | | Lens For Control Panel |
| 022 | 211252 | | Screw, Ground Wire |
| 023 | NLA | Not Available | CONTROL PANEL |
| 024 | NLA | Not Available | (ALM) |
| " | Y305191 | Not Available | TOP COVER-WHITE |
| 025 | 205663 | | Knob For Selector Switch |
| 026 | Y313588 | 488234 | Screw 8-32 X 1/4 |
| 027 | Y303420 | Not Available | SELECTOR SWITCH |
| 028 | NLA | Not Available | MAIN WIRE HARNESS |

