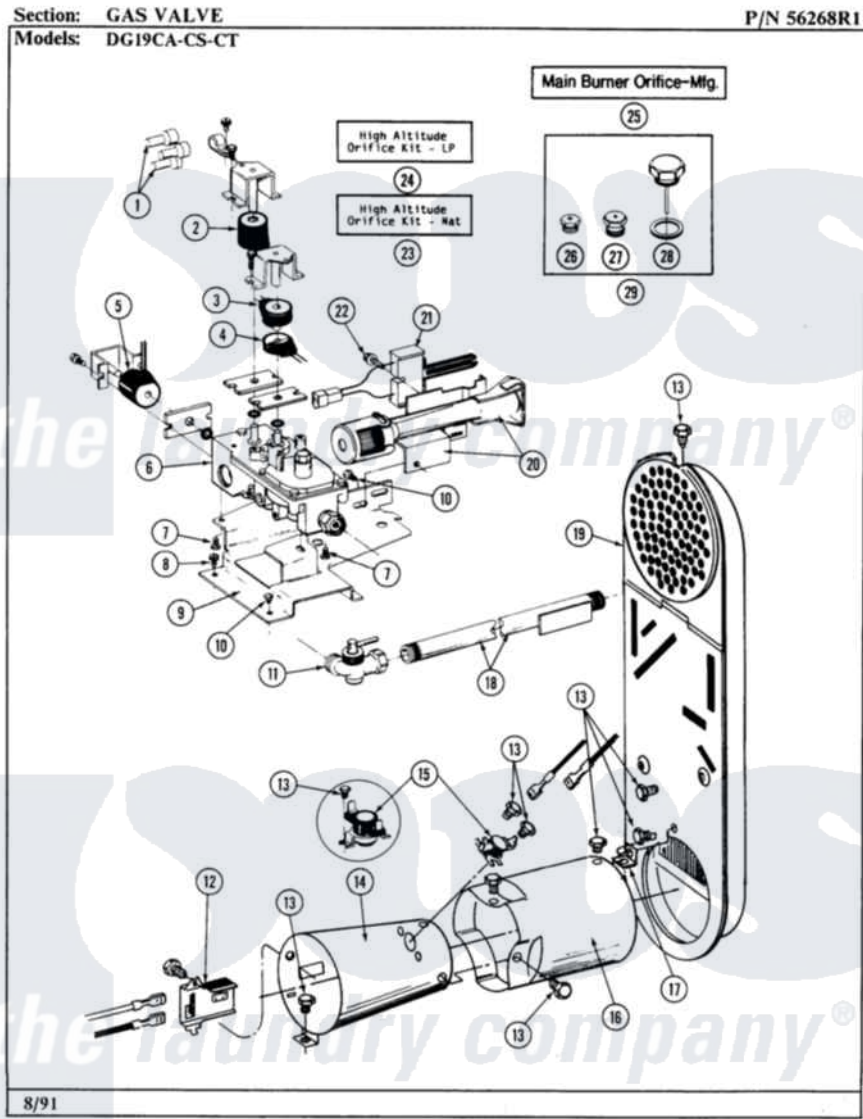


# Maytag DG19CT 10 - GAS VALVE



30

Maytag [Residential Maytag DG19CT Dryer Parts](#) Parts Diagram 10 - GAS VALVE

[Click on the part number to view part](#)

| Item | Original Part Number    | Replaced By               | Status        | Part Description                        |
|------|-------------------------|---------------------------|---------------|---|
| 001  | 311546                  | <a href="#">911445</a>    |               | Wire Connector                          |
| 002  | <a href="#">305603</a>  |                           |               | Secondary Coil                          |
| 003  | <a href="#">305604</a>  |                           |               | Holding Coil                            |
| 004  | <a href="#">305605</a>  |                           |               | Booster Coil                            |
| 005  | <a href="#">Y304626</a> |                           |               | Side Coil                               |
| 006  | Y303777                 | <a href="#">W10116794</a> |               | Gas Valve                               |
| 007  | NLA                     |                           | Not Available | SCREW, HEX HD No.8 X 3/8 INCH           |
| 008  | <a href="#">Y313561</a> |                           |               | Screw---NA                              |
| 009  | <a href="#">312929</a>  |                           |               | Gas Valve Bracket                       |
| 010  | Y310632                 | <a href="#">1163839</a>   |               | Screw                                   |
| 011  | <a href="#">Y303349</a> |                           |               | Angle Shut-Off, Gas Valve               |
| 012  | Y303377                 | <a href="#">338906</a>    |               | Radiant, Sensor                         |
| 013  | 211294                  | <a href="#">90767</a>     |               | Screw, 8A X 3/8 HeX Washer Head Tapping |
| 014  | <a href="#">Y303368</a> |                           |               | Cone, Combustion                        |
| 015  | <a href="#">305169</a>  |                           |               | Thermostat, Hi-Limit Gas                |

|     |                         |                          |  |
|-----|-------------------------|--------------------------|--|
| 016 | <a href="#">Y303841</a> |                          | Cone, Extension  |
| 017 | <a href="#">Y312890</a> |                          | Retainer, Heater Chamber                                 |
| 018 | Y303383                 | <a href="#">33001735</a> | Pipe And Bracket Assembly Series 18 Not Needed Use Vavle |
| 019 | 211294                  | <a href="#">90767</a>    | Screw, 8A X 3/8 HeX Washer Head Tapping                  |
| "   | <a href="#">Y303369</a> |                          | Inlet Duct Assembly                                      |
| 020 | 304974                  | <a href="#">33002793</a> | Burner Assembly  |
| "   | Y310632                 | <a href="#">1163839</a>  | Screw  |
| 021 | 304970                  | <a href="#">4391996</a>  | Ignitor  |
| 022 | <a href="#">304971</a>  |                          | Screw Note: Screw, Igniter                               |
| 023 | NLA                     | Not Available            | ORIFICE KIT, LP (HIGH ALT.)                              |
| 024 | NLA                     | Not Available            | ORIFICE KIT, NAT (HIGH ALT.)                             |
| 025 | NLA                     | Not Available            | MAIN BURNER ORIFICE (MFG)                                |
| 026 | NLA                     | Not Available            | MAIN BURNER ORIFICE (LP)                                 |
| 027 | NLA                     | Not Available            | INTERNAL ORIFICE (LP)                                    |
| 028 | NLA                     | Not Available            | SCREW ASSY - BLUE BLOCK OPE                              |
| 029 | <a href="#">Y303779</a> |                          | Conversion Kit   |

