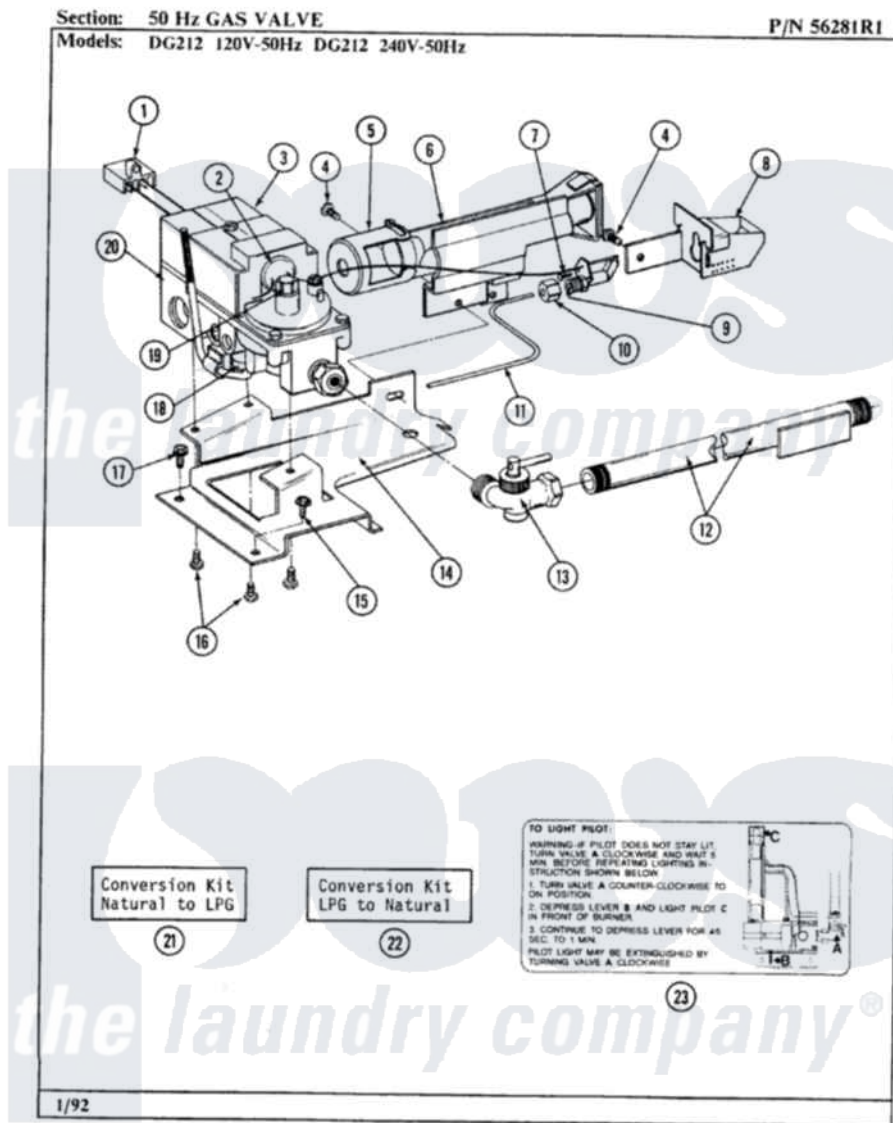


Maytag DG212 06 - GAS VALVE (50HZ)



Maytag [Residential Maytag DG212 Dryer Parts](#) Parts Diagram 06 - GAS VALVE (50HZ)

[Click on the part number to view part](#)

Item	Original Part Number	Replaced By	Status	Part Description
1	Y302813		Not Available	MAIN BURN. SOLENOID (240-50)
"	Y302812			Main Burner Solenoid
2	302814		Not Available	PILOT WITH PRESSURE SWITCH
3	311643		Not Available	ORIFICE FOR MAIN BURNER
"	311641			Orifice For Main Burner
"	311640		Not Available	ORIFICE FOR MAIN BURNER
"	Y311639	63-3570		Burner Orifice
4	Y014872			Screw, Coin Meter Stop -
5	311910		Not Available	AIR SHUTTER
6	Y304697			BURNER ASSEMBLY
7	Y311711			Screw, Fuse Block
8	304699		Not Available	PILOT SHIELD ASSEMBLY
9	Y311482			Pilot Orifice
"	Y311418			Pilot Orifice
"	311481			Pilot Orifice-Mfg.

"	Y311480		Pilot Orifice
10	310692	Not Available	COMPRESSION NUT
"	Y310693	Not Available	COMPRESSION SLEEVE
11	Y312483		PILOT TUBE
12	Y303383	33001735	Pipe And Bracket Assembly Series 18 Not Needed Use Vavle
13	Y303349		Angle Shut-Off, Gas Valve
14	313965	660533	Element-Surf
15	Y310632	1163839	Screw
16	211410		Screw, HeX Head No.8 X 3/8 Inch
17	Y313561		Screw----NA
18	810146	Not Available	SCREW
"	312488	Not Available	GASKET FOR PILOT
19	302810		Screw Assembly - Blue Block Ope
"	302809		Screw Assembly - Leak Limit
20	304707	Not Available	GAS VALVE 120-50
"	Y304698	Not Available	GAS VALVE (240-50)
21	301456	Not Available	CONVERSION KIT-NAT. TO LPG
22	301539		Conversion Kit
23	313967	660532	Element-Surf

