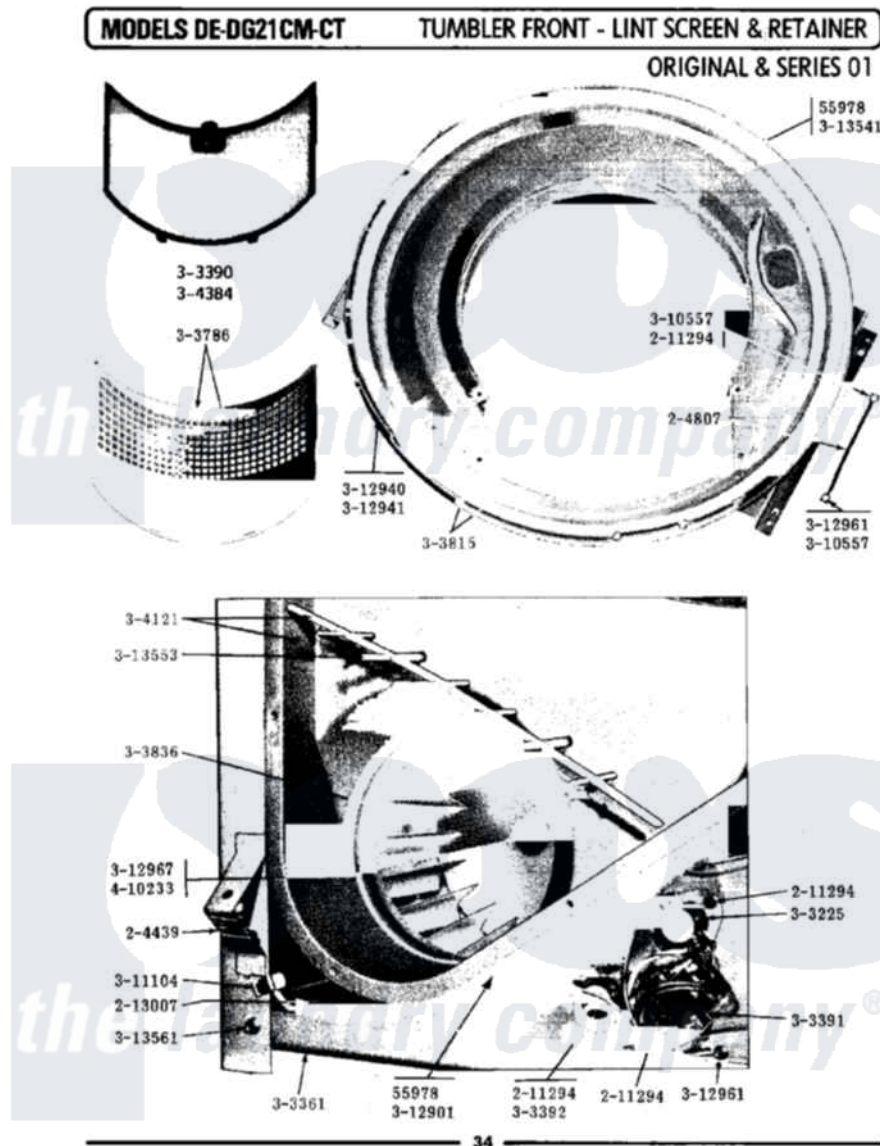


# Maytag DG21CT 10 - TUMBLER FRONT, LINT SCREEN & RETAINER



Maytag [Residential Maytag DG21CT Dryer Parts](#) Parts Diagram 10 - TUMBLER FRONT, LINT SCREEN & RETAINER  
 Click on the part number to view part

Item	Original Part Number	Replaced By	Status	Part Description
001	<a href="#">Y055978</a>			Rubber Adhesive, 2 Oz Tube
002	<a href="#">204439</a>			Screw And Fstner Assembly
003	<a href="#">204807</a>			Ground Wire, Supp. Plte To Top Cover
004	211294	<a href="#">90767</a>		Screw, 8A X 3/8 HeX Washer Head Tapping
005	<a href="#">213007</a>			Xfor Cabinet See Cabinet, Back
006	Y303361		Not Available	BASE ASSY. (UPPER & LOWER)
007	Y303390		Not Available	LINT SCREEN
008	Y303391	<a href="#">33303391</a>		Thermostat, Cycling
009	<a href="#">303392</a>			Thermostat, Cycling
010	Y303786		Not Available	LINT SCREEN WITH RETAINER
011	Y303815	<a href="#">33001231</a>		Front- Tumbler
012	<a href="#">Y303836</a>			Blower Wheel Assembly And Clamp
013	NLA		Not Available	OUTLET GRID AND DUCT

014	Y304384	<a href="#">33001003</a>	Screen, Lint
015	Y304810	Not Available	OUTLET DUCT ASSEMBLY---S
016	<a href="#">310557</a>		Washer
017	NLA	Not Available	HARNESSE CLIP
018	<a href="#">Y312901</a>		Seal, Housing Cover
019	312940	<a href="#">306508</a>	Tumbler Bearing Kit ----W
020	312941	<a href="#">306508</a>	Tumbler Bearing Kit ----W
021	Y312961	<a href="#">W10116751</a>	Screw
022	<a href="#">312967</a>		Clamp, Blower Housing
023	Y313541	<a href="#">33313541</a>	Seal- Tumbler
024	NLA	Not Available	GRID FOR OUTLET DUCT
025	<a href="#">Y313561</a>		Screw----NA
026	Y313794	Not Available	OUTLET GRID AND DUCT ---S
027	<a href="#">Y313795</a>		Guide For Lint Screen
028	<a href="#">Y313796</a>		Lint Seal
029	410233	<a href="#">9703438</a>	Ring-Retrn

