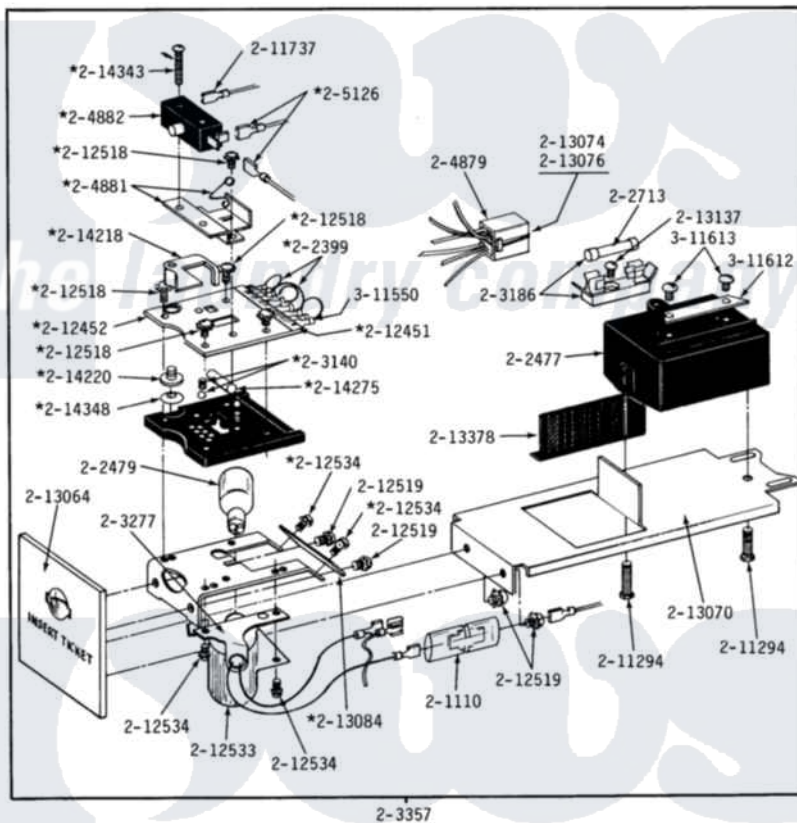


# Maytag DG22CT 05 - CONTROL CENTER COMPONENTS

MODELS DE-DG22CT

CT CONTROL CENTER COMPONENTS



®Contact your commercial distributor for locks, keys, tickets and ticket dispensers.

\*Part of 2-2509 ticket control assembly.

## Maytag Residential Maytag DG22CT Dryer Parts Parts Diagram 05 - CONTROL CENTER COMPONENTS

[Click on the part number to view part](#)

Item	Original Part Number	Replaced By	Status	Part Description
001	Y201110		Not Available	CONNECTOR, WIRE (INDIC. LIGHT)
002	NLA		Not Available	JUMPER WIRE (BLACK)
003	202477	<a href="#">22003292</a>		Control As
004	202479	<a href="#">A3167501</a>		Lamp Oven, Int.
005	<a href="#">202509</a>			Ticket Control Assembly
006	202713	<a href="#">22001555</a>		Fuse
007	<a href="#">203140</a>			Contact Ball Kit
008	NLA		Not Available	FUSE BLOCK W/FUSE
009	NLA		Not Available	LAMP SOCKET W/BRACKET
010	NLA		Not Available	TICKET RECEIVER ASSEMBLY
011	NLA		Not Available	HARNESS, TICKET CONTROL
012	<a href="#">204881</a>			Cam Plate Assembly
013	204882		Not Available	SWITCH FOR TICKET CONTROL
014	NLA		Not Available	SPADE CONNECTOR

015	211294	<a href="#">90767</a>	Screw, 8A X 3/8 HeX Washer Head Tapping
016	211737	<a href="#">248562</a>	Terminal
017	NLA	Not Available	OVERLAY, CIRCUIT BOARD
018	<a href="#">212452</a>		Board, Circuit
019	NLA	Not Available	SEMS SCREW (No.4-40 X 1/2 INC)
020	212519	<a href="#">488234</a>	Screw 8-32 X 1/4
021	212533		SHIELD FOR HEAT LAMP
022	NLA	Not Available	SCREW, CONTROL SHIELD
023	NLA	Not Available	FRONT PLATE, TICKET CONTROL
024	NLA	Not Available	BRACKET, TICKET ASSEMBLY
025	<a href="#">213074</a>		Pin Receptacle For Plug
026	NLA	Not Available	PIN, PLUG
027	NLA	Not Available	TICKET DEFLECTOR
028	NLA	Not Available	SCREW (No.6 X 1/4 INCH)
029	NLA	Not Available	SHIELD
030	<a href="#">214218</a>		Lever, Switch
031	<a href="#">214220</a>		Adjustment Thumb Wheel
032	<a href="#">214275</a>		Roller For Cam
033	NLA	Not Available	SCREW
034	NLA	Not Available	SPRING WASHER
035	Y311550	Not Available	SPADE (MINIATURE)
036	311612	Not Available	COVER, CIRCUIT BOARD TERMINALS
037	311613	<a href="#">Y311711</a>	Screw, Fuse Block

*the laundry company*<sup>®</sup>

*the laundry company*<sup>®</sup>