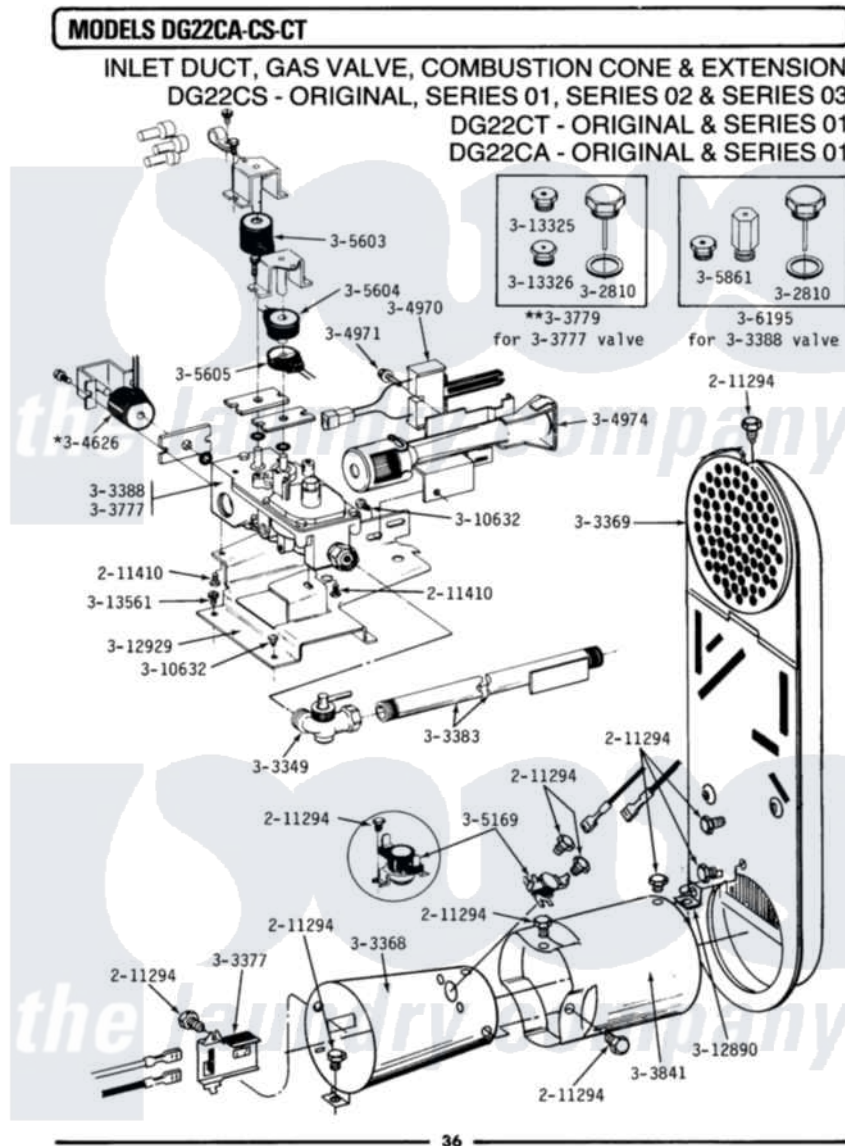


Maytag DG22CT 09 - INLET DUCT, GAS VALVE & COMBUSTION CONE



Maytag Residential Maytag DG22CT Dryer Parts Parts Diagram 09 - INLET DUCT, GAS VALVE & COMBUSTION CONE

Click on the part number to view part

Item	Original Part Number	Replaced By	Status	Part Description
001	211294	90767		Screw, 8A X 3/8 HeX Washer Head Tapping
002	NLA		Not Available	SCREW, HEX HD No.8 X 3/8 INCH
003	NLA		Not Available	SCREW ASSEMBLY, LEAK LIMIT
004	NLA		Not Available	SCREW ASSY - BLUE BLOCK OPE
005	Y303349			Angle Shut-Off, Gas Valve
006	Y303368			Cone, Combustion
007	Y303369			Inlet Duct Assembly
008	Y303377	338906		Radiant, Sensor
009	Y303383	33001735		Pipe And Bracket Assembly Series 18 Not Needed Use Vavle
010	Y303777	W10116794		Gas Valve
011	Y303779			Conversion Kit
012	Y303841			Cone, Extension

013	Y304626		Side Coil
014	Y304672		Conversion Kit-LPG To Nat.
015	304970	4391996	Ignitor
016	304971		Screw Note: Screw, Igniter
017	304974	33002793	Burner Assembly
018	305169		Thermostat, Hi-Limit Gas
019	305603		Secondary Coil
020	305604		Holding Coil
021	305605		Booster Coil
022	305860	Not Available	MAIN BURNER ORIFICE KIT-NAT
023	NLA	Not Available	MAIN BURNER ORIFICE KIT (LP)
024	NLA	Not Available	MAIN BURNER ORIFICE KIT-MIX
025	NLA	Not Available	MAIN BURNER ORIFICE KIT-MFG
026	Y306195	MAL9000AXX	LP Gas Con
027	Y310632	1163839	Screw
028	Y312890		Retainer, Heater Chamber
029	312929		Gas Valve Bracket
030	NLA	Not Available	MAIN BURNER ORIFICE (LP)
031	NLA	Not Available	INTERNAL ORIFICE (LP)
032	NLA	Not Available	MAIN BURNER ORIFICE (MFG)
033	Y313561		Screw----NA

