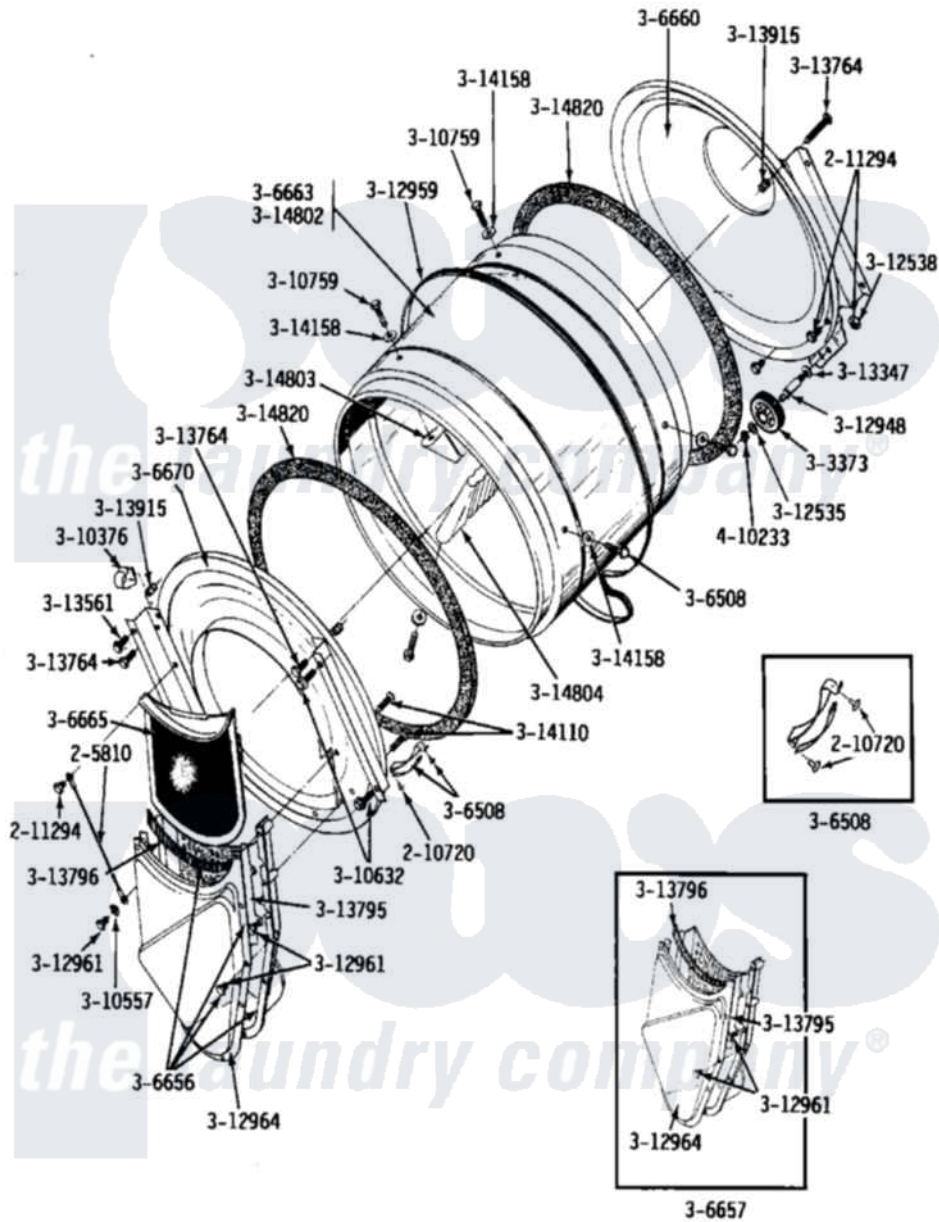


# Maytag DG24CS 06 - LINT SCREEN, TUMBLER (FRONT & BACK)



Maytag Residential Maytag DG24CS Dryer Parts Parts Diagram 06 - LINT SCREEN, TUMBLER (FRONT & BACK)  
 Click on the part number to view part

Item	Original Part Number	Replaced By	Status	Part Description
001	<a href="#">205810</a>			Wire, Ground
002	<a href="#">210720</a>			Rivet, Bearing To Tumbler Frnt
003	211294	<a href="#">90767</a>		Screw, 8A X 3/8 HeX Washer Head Tapping
004	Y303373	<a href="#">12001541</a>		Drum Roller/Washer Assembly--W
005	<a href="#">306508</a>			Tumbler Bearing Kit ---W
006	306656		Not Available	OUTLET DUCT & GRID ASSEMBLY
007	306657		Not Available	OUTLET DUCT & GRID
008	Y306660	<a href="#">33001106</a>		Back, Tumbler
009	306663		Not Available	TUMBLER W/BAFFLES
010	Y306665	<a href="#">33001003</a>		Screen, Lint
011	NLA		Not Available	TUMBLER FRONT---NA
012	<a href="#">Y310376</a>			Clip, Door Switch Harness
013	<a href="#">310557</a>			Washer
014	Y310632	<a href="#">1163839</a>		Screw

015	<a href="#">Y310759</a>		Screw, Tumbler Baffles
016	<a href="#">312535</a>		Washer, Vault Mounting Brk.
017	312538	<a href="#">33001443</a>	Nut, Hex
018	Y312948	<a href="#">6-3129480</a>	Shaft- Tumbler
019	<a href="#">Y312959</a>		Poly "V" Belt For Tumbler
020	Y312961	<a href="#">W10116751</a>	Screw
021	Y312964	Not Available	OUTLET DUCT - OUTER HALF
022	Y313347	<a href="#">312535</a>	Washer, Vault Mounting Brk.
023	<a href="#">Y313561</a>		Screw----NA
024	NLA	Not Available	SCREW
025	<a href="#">Y313795</a>		Guide For Lint Screen
026	<a href="#">Y313796</a>		Lint Seal
027	NLA	Not Available	COVER, THREAD
028	Y314110	<a href="#">33002917</a>	Screw, No.10-16
029	<a href="#">314158</a>		Washer, Baffle To Tumbler
030	314802	Not Available	TUMBLER W/OUT BAFFLES
031	314803	<a href="#">33001012</a>	Baffle
032	314803	<a href="#">33001012</a>	Baffle
033	314804	<a href="#">33001004</a>	Baffle, Tall
034	<a href="#">314820</a>		Seal, Tumbler
035	410233	<a href="#">9703438</a>	Ring-Retrn

