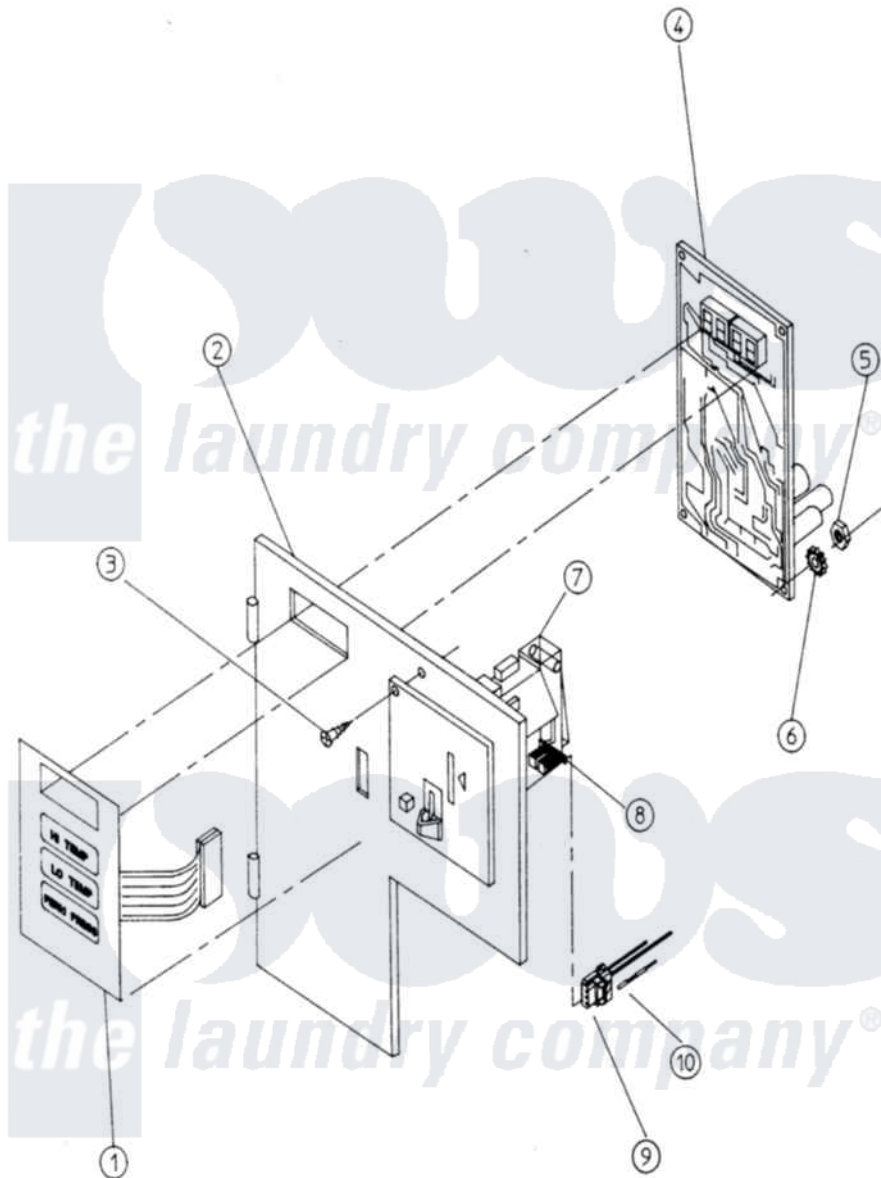


# Maytag DG30PC1 04 - COIN MICROPROCESSOR CONTROL BOX



Maytag [Residential Maytag DG30PC1 Dryer Parts](#) Parts Diagram 04 - COIN MICROPROCESSOR CONTROL BOX  
 Click on the part number to view part

Item	Original Part Number	Replaced By	Status	Part Description
000	W10124350		Not Available	ORDER PARTS FROM AMERICAN DRYER CORP AT 508-678-9000
001	A137021	<a href="#">137021</a>		Mr Recept 2
002	A122800			M R EXTRAC
"	A137020	<a href="#">137020</a>		15 Pin Con
003	A150315	<a href="#">150315</a>		6 X 3 8 P
004	A137022	<a href="#">137022</a>		15 Position
005	A137013	<a href="#">137013</a>		Pc Bd Nylo
006	A137151		Not Available	RELAY BOARD
007	A136057	<a href="#">W10146739</a>		0.5 A 250
008	A150300	<a href="#">5307527001</a>		Switch
009	A141403		Not Available	TRANSFORMER (24 VAC) (FOR MICROPROCESSOR MODELS)
010	A152002	<a href="#">152002</a>		1 4-20 Hex
011	A120715	<a href="#">W10146700</a>		30 Pos Ter
012	A151000	<a href="#">WH12X195</a>		Switch Assembly

