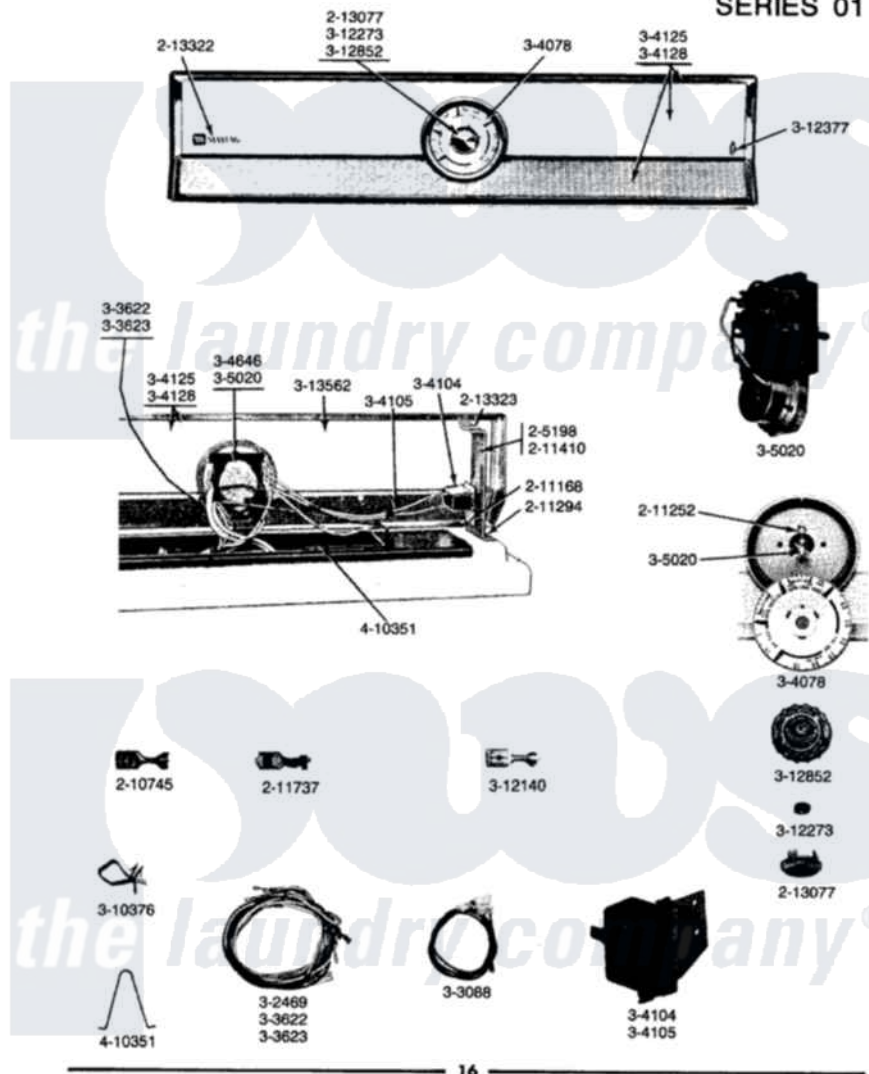


MODEL DE-DG407 CONTROL PANEL & COMPONENTS

SERIES 01



Maytag [Residential Maytag DG407 Dryer Parts](#) Parts Diagram 04 - CONTROL PANEL & COMPONENTS (SER 01)

[Click on the part number to view part](#)

| Item | Original Part Number | Replaced By | Status | Part Description |
|------|-------------------------|---------------------------|---------------|---|
| 1 | 205198 | | Not Available | BRACKET KIT - LEFT HAND |
| 2 | 205199 | | Not Available | BRACKET KIT - RIGHT HAND |
| 3 | 210745 | | | Wire Terminal |
| 4 | 211168 | W10139210 | | Screw, 8-18 X 5/16 |
| 5 | 211252 | | | Screw, Ground Wire |
| 6 | 211294 | 90767 | | Screw, 8A X 3/8 HeX Washer Head Tapping |
| 7 | 211410 | | | Screw, HeX Head No.8 X 3/8 Inch |
| 8 | 211737 | 248562 | | Terminal |
| 9 | 213077 | | Not Available | CAP FOR TIMER KNOB |
| 10 | 213322 | | Not Available | MAYTAG DECAL |
| 11 | 213323 | | | Fastener, Exhaust Duct Kit |
| 12 | 302469 | | Not Available | HARNES FOR SHROUD |
| 13 | 303088 | | Not Available | GAS VALVE WIRES WITH PLUG |
| 14 | Y303622 | | | Main Wire Harness |

| | | | |
|----|-------------------------|--------------------------|-----------------------------|
| 15 | 303623 | Not Available | MAIN WIRE HARNESS |
| 16 | 304078 | Not Available | TIMER DIAL, SUN-GLOW |
| 17 | Y304104 | | Buzzer |
| 18 | 304105 | Not Available | BUZZER HARNESS |
| 19 | 304125 | Not Available | CONTROL PANEL, SUN-GLOW |
| 20 | 304128 | WB2X9652 | Insulation |
| 21 | 304646 | Not Available | TIMER MOTOR |
| 22 | Y305020 | Not Available | TIMER |
| 23 | Y310376 | | Clip, Door Switch Harness |
| 24 | Y312140 | | Wire Connector |
| 25 | 312273 | | Nut, Control Knob |
| 26 | 312377 | 31-2377 | Minimanual |
| 27 | 312852 | | Selector Knob-Clear Acrylic |
| 28 | 313562 | Not Available | BACK-UP PLATE |
| 29 | 410351 | Not Available | HARNESS RETAINER |

