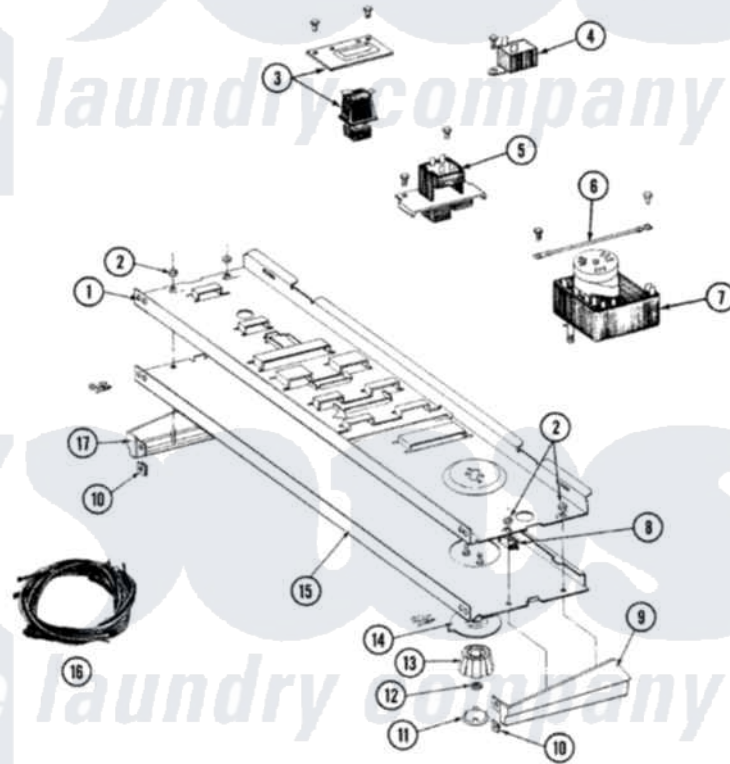
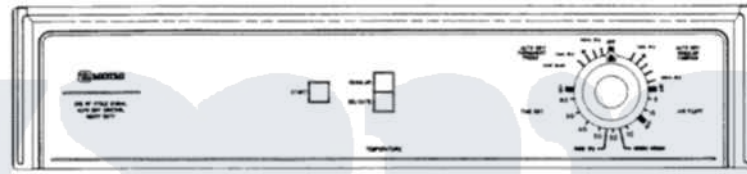


Maytag DG4910 01 - CONTROL PANEL

SECTION: CONTROL PANEL
MODEL: DE-DG4910



Issue Date: 6/90

4

Maytag [Residential Maytag DG4910 Dryer Parts](#) Parts Diagram 01 - CONTROL PANEL
Click on the part number to view part

Item	Original Part Number	Replaced By	Status	Part Description
1	314184			Back Up Plate
2	214872			Palnut, End Cap Note: Nut, Lamp Holder
3	211168	W10139210		Screw, 8-18 X 5/16
"	307305			Switch Push To Start
4	211168	W10139210		Screw, 8-18 X 5/16
"	305205	694419		Mini-Buzzer
5	207365			2 Button Switch
"	211168	W10139210		Screw, 8-18 X 5/16
6	211294	90767		Screw, 8A X 3/8 HeX Washer Head Tapping
"	204807			Ground Wire, Supp. Plite To Top Cover
7	305448			Timer
"	910708	488234		Screw 8-32 X 1/4
8	214897			Pad, Control Panel
9	210932			Screw, No.8 X 9/16 Ctsk Note: Screw, Inlet Duct

"	207216	Not Available	END CAP RH
10	214894		Fastener, End Cap
11	215821	Not Available	CAP, KNOB
12	312273		Nut, Control Knob
13	315041		Knob, Timer
14	315042		Dial Skirt
15	307326	Not Available	CONTROL PANEL
"	210932		Screw, No.8 X 9/16 Ctsk Note: Screw, Inlet Duct
16	307281	Not Available	WIRE HARNESS
17	207215	Not Available	END CAP LH

laws
the laundry company[®]

laws
the laundry company[®]

laws
the laundry company[®]