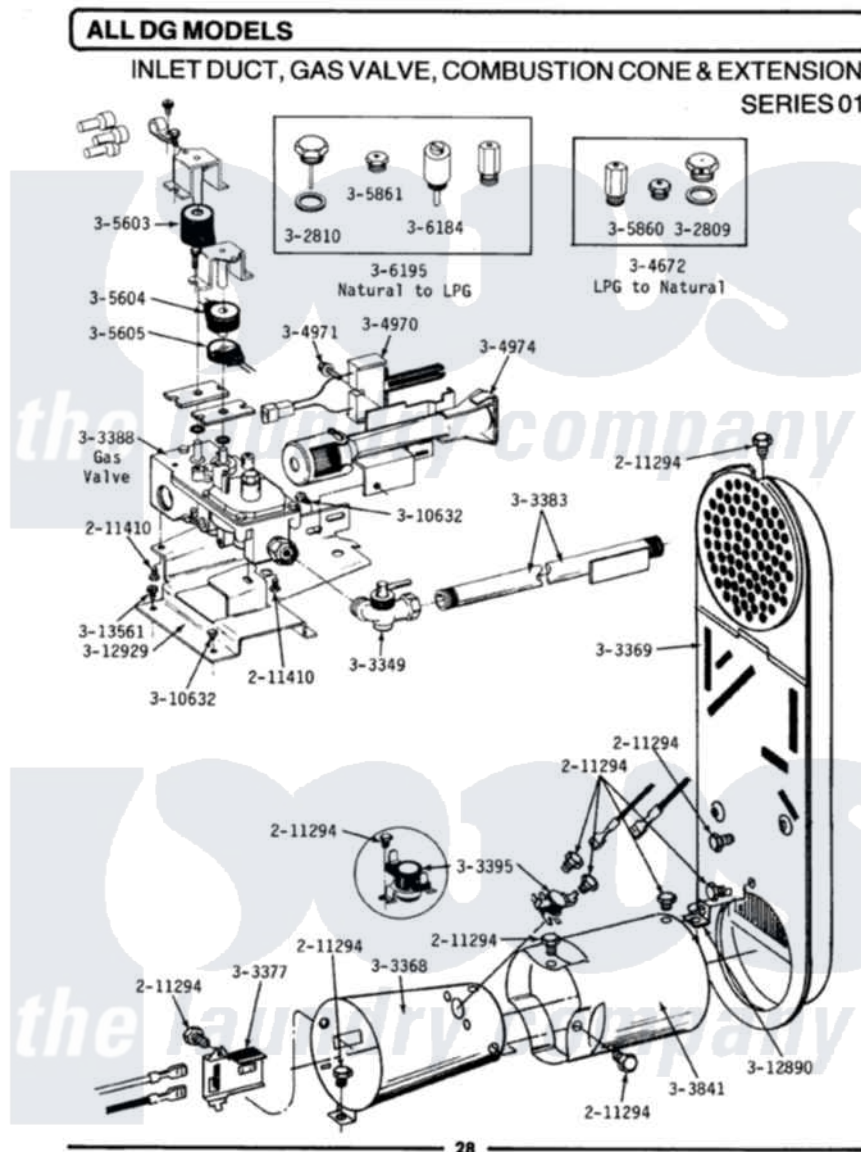


# Maytag DG808 04 - INLET DUCT, GAS VALVE, CONE & EXT. (01)



Maytag Residential Maytag DG808 Dryer Parts Parts Diagram 04 - INLET DUCT, GAS VALVE, CONE & EXT. (01)  
 Click on the part number to view part

Item	Original Part Number	Replaced By	Status	Part Description
1	211294	<a href="#">90767</a>		Screw, 8A X 3/8 HeX Washer Head Tapping
2	<a href="#">211410</a>			Screw, HeX Head No.8 X 3/8 Inch
3	<a href="#">302809</a>			Screw Assembly - Leak Limit
4	<a href="#">302810</a>			Screw Assembly - Blue Block Ope
5	<a href="#">Y303349</a>			Angle Shut-Off, Gas Valve
6	<a href="#">Y303368</a>			Cone, Combustion
7	<a href="#">Y303369</a>			Inlet Duct Assembly
8	Y303377	<a href="#">338906</a>		Radiant, Sensor
9	Y303383	<a href="#">33001735</a>		Pipe And Bracket Assembly Series 18 Not Needed Use Vavle
10	<a href="#">W10116794</a>			Gas Valve
11	<a href="#">303395</a>			Thermostat, Hi-Limit
12	<a href="#">Y303841</a>			Cone, Extension
13	<a href="#">Y304672</a>			Conversion Kit-LPG To Nat.

14	304970	<a href="#">4391996</a>	Ignitor
15	<a href="#">304971</a>		Screw Note: Screw, Igniter
16	304974	<a href="#">33002793</a>	Burner Assembly
17	<a href="#">305603</a>		Secondary Coil
18	<a href="#">305604</a>		Holding Coil
19	<a href="#">305605</a>		Booster Coil
20	305860		Not Available MAIN BURNER ORIFICE KIT-NAT
21	305861		Not Available MAIN BURNER ORIFICE KIT-LPG
22	305862		Not Available MAIN BURNER ORIFICE KIT-MIX
23	305863	<a href="#">0305863</a>	Harness Ignition WI
24	306184		Not Available PLUG, BLOCKING (LPG REGULATOR)
25	Y306195	<a href="#">MAL9000AXX</a>	LP Gas Con
26	Y310632	<a href="#">1163839</a>	Screw
27	<a href="#">Y312890</a>		Retainer, Heater Chamber
28	<a href="#">312929</a>		Gas Valve Bracket
29	<a href="#">Y313561</a>		Screw---NA

