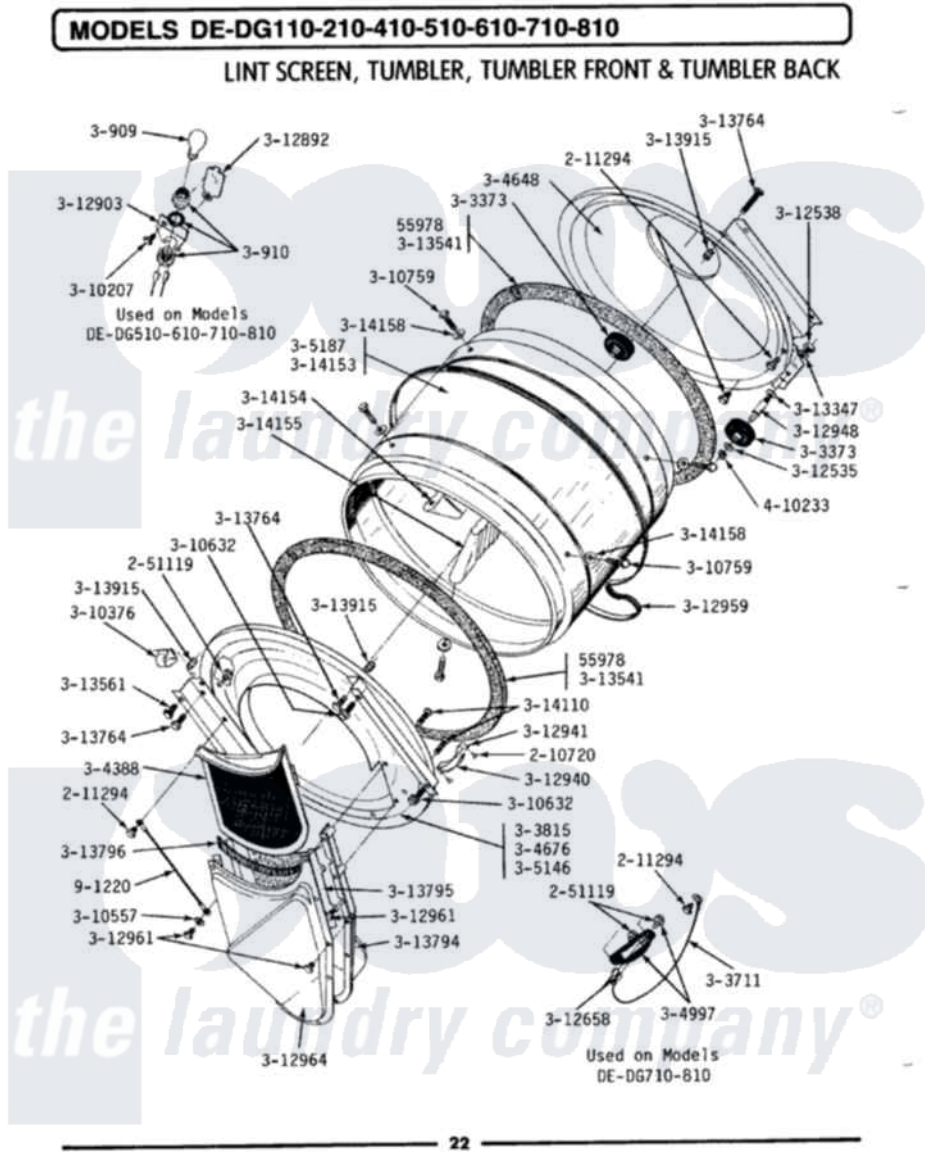


Maytag DG810 06 - LINT SCREEN, TUMBLER (FRONT & BACK)



Maytag Residential Maytag DG810 Dryer Parts Parts Diagram 06 - LINT SCREEN, TUMBLER (FRONT & BACK)
 Click on the part number to view part

Item	Original Part Number	Replaced By	Status	Part Description
1	Y055978			Rubber Adhesive, 2 Oz Tube
2	210720			Rivet, Bearing To Tumbler Frnt
3	211294	90767		Screw, 8A X 3/8 HeX Washer Head Tapping
4	Y251119	3177991		Screw
5	300909	8009		Bulb-Light
6	300910		Not Available	RECEPTACLE
7	Y303373	12001541		Drum Roller/Washer Assembly--W
8	Y303711			Sensor Ground Wire
9	Y303815	33001231		Front- Tumbler
10	Y304388	33001003		Screen, Lint
11	Y304648	33001106		Back, Tumbler
12	Y304676		Not Available	TUMBLER FRONT ASSEMBLY
13	304997			Sensor Assembly With Screws
14	Y305146	306708		Tumbler Front Assembly

15	305187		Not Available	TUMBLER W/BAFFLES
16	310207			Screw, No.6 X 1/4 Inch
17	Y310376			Clip, Door Switch Harness
18	310557			Washer
19	Y310632	1163839		Screw
20	Y310759			Screw, Tumbler Baffles
21	312535			Washer, Vault Mounting Brk.
22	312538	33001443		Nut, Hex
23	Y312658			Receptacle, Sensor Ground Wire
24	Y312892	33312892		Lens
25	312903		Not Available	LAMP BRACKET
26	312940	306508		Tumbler Bearing Kit ----W
27	312941	306508		Tumbler Bearing Kit ----W
28	Y312948	6-3129480		Shaft- Tumbler
29	Y312959			Poly "V" Belt For Tumbler
30	Y312961	W10116751		Screw
31	Y312964		Not Available	OUTLET DUCT - OUTER HALF
32	Y313347	312535		Washer, Vault Mounting Brk.
33	Y313541	33313541		Seal- Tumbler
34	Y313561			Screw----NA
35	313764		Not Available	SCREW
36	Y313794		Not Available	OUTLET GRID AND DUCT --- S
37	Y313795			Guide For Lint Screen
38	Y313796			Lint Seal
39	313915	31-3915		Tech Sheet
40	Y314110	33002917		Screw, No.10-16
41	Y314153		Not Available	TUMBLER No.
42	314154		Not Available	TUMBLER BAFFLE - SHORT
43	314155	33001004		Baffle, Tall
44	314158			Washer, Baffle To Tumbler
45	410233	9703438		Ring-Retrn
46	901220			Ground Wire

