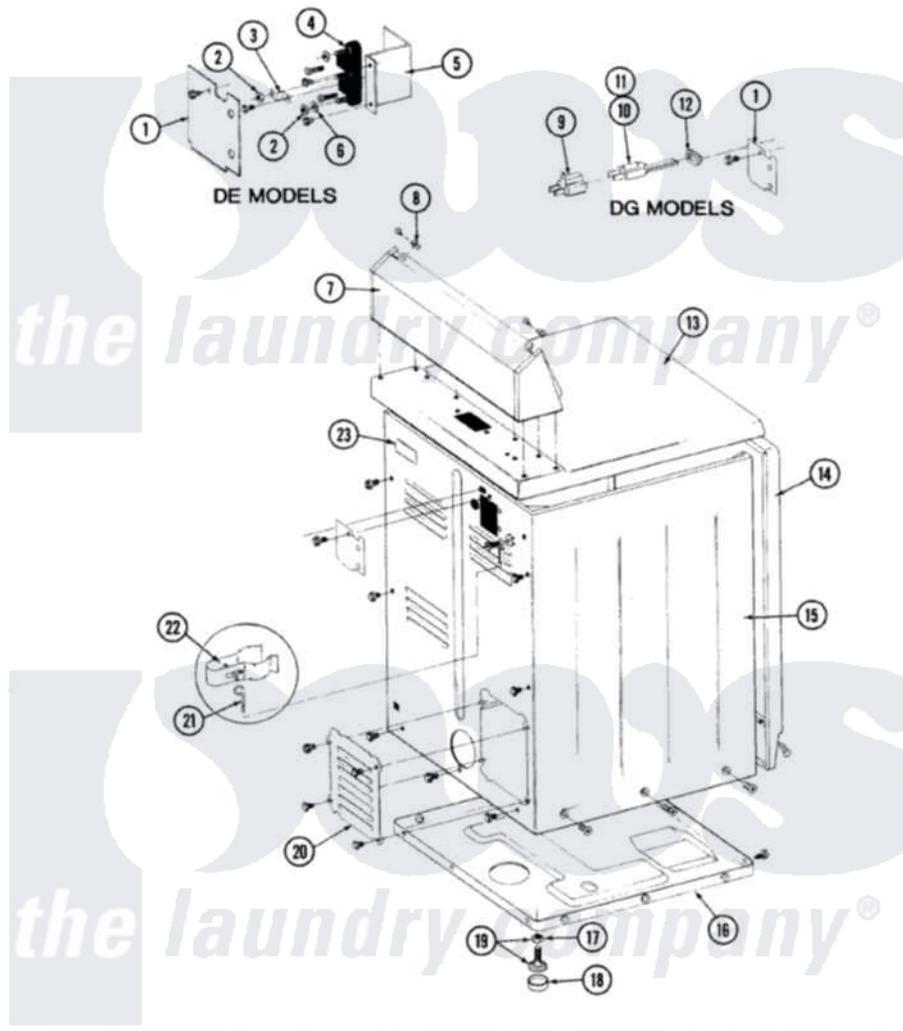


Maytag DG8410 08 - REAR VIEW

SECTION: REAR VIEW
MODEL: DE-DG MODELS



Issue Date: 6/90

38

Maytag [Residential Maytag DG8410 Dryer Parts](#) Parts Diagram 08 - REAR VIEW
Click on the part number to view part

| Item | Original Part Number | Replaced By | Status | Part Description |
|------|-------------------------|-------------------------|---------------|---|
| 1 | Y312905 | | Not Available | COVER, TERMINAL |
| 7 | Y305193 | | | Console |
| 8 | 215075 | | | Fastener, Control Panel To Console |
| 9 | Y201808 | | | Converter |
| 10 | 302521 | | Not Available | CORD, POWER PART NOT USED-GAS MODELS ONLY |
| 12 | 211881 | | | Grommet, Cord Part Not Used-Gas Models Only |
| 13 | 307104 | | | Top Cover Assembly |
| 14 | Y307998 | | | Front Panel |
| 15 | Y313561 | | | Screw----NA |
| " | Y310632 | 1163839 | | Screw |
| " | 307124 | | | Cabinet |
| 16 | Y303361 | | Not Available | BASE ASSY. (UPPER & LOWER) |
| 17 | Y052740 | 62739 | | Nut, Lock |
| 18 | Y314137 | | | Foot, Rubber |

| | | | |
|----|-------------------------|-----------------------|--|
| 19 | Y305086 | | Adjustable Leg And Nut |
| 20 | Y312951 | Not Available | ACCESS COVER, BACK |
| " | 211294 | 90767 | Screw, 8A X 3/8 HeX Washer Head Tapping |
| " | Y313559 | | Screw |
| 21 | 311155 | | Ground Wire And Clamp |
| 22 | 313122 | | Screw - Baffle To Tumbler |
| " | 301548 | | Clamp, Ground Wire |
| 23 | 214519 | | LABEL, ELECTRICAL INSTR. PART NOT USED-GAS MODELS ONLY |

