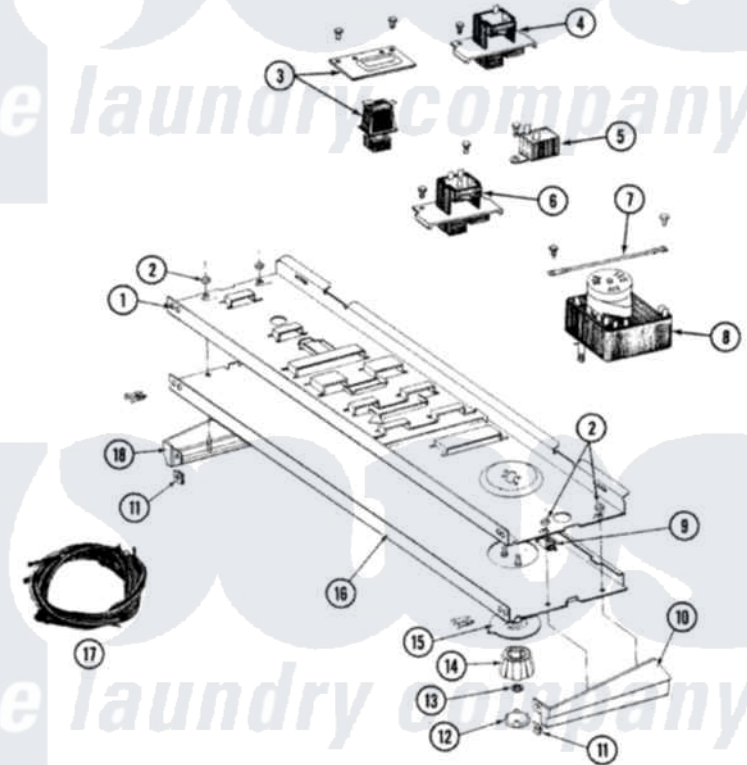
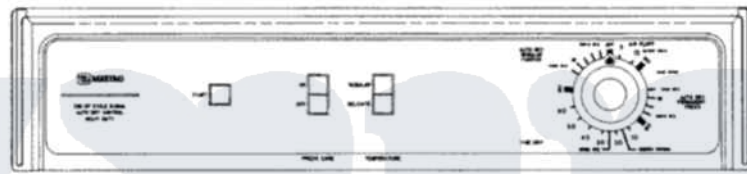


# Maytag DG8600 01 - CONTROL PANEL

SECTION: CONTROL PANEL  
MODEL: DE-DG8600



Issue Date: 6/90

28

Maytag [Residential Maytag DG8600 Dryer Parts](#) Parts Diagram 01 - CONTROL PANEL  
Click on the part number to view part

Item	Original Part Number	Replaced By	Status	Part Description
1	<a href="#">314184</a>			Back Up Plate
2	<a href="#">214872</a>			Palnut, End Cap Note: Nut, Lamp Holder
3	211168	<a href="#">W10139210</a>		Screw, 8-18 X 5/16
"	<a href="#">307305</a>			Switch Push To Start
4	<a href="#">207365</a>			2 Button Switch
"	211168	<a href="#">W10139210</a>		Screw, 8-18 X 5/16
5	211168	<a href="#">W10139210</a>		Screw, 8-18 X 5/16
"	305205	<a href="#">694419</a>		Mini-Buzzer
6	<a href="#">307310</a>			Press Care Switch
"	211168	<a href="#">W10139210</a>		Screw, 8-18 X 5/16
7	211294	<a href="#">90767</a>		Screw, 8A X 3/8 HeX Washer Head Tapping
"	<a href="#">204807</a>			Ground Wire, Supp. Plite To Top Cover
8	<a href="#">306545</a>			Timer
"	910708	<a href="#">488234</a>		Screw 8-32 X 1/4

9	<a href="#">214897</a>		Pad, Control Panel
10	<a href="#">210932</a>		Screw, No.8 X 9/16 Ctsk Note: Screw, Inlet Duct
"	207216	Not Available	END CAP RH
11	<a href="#">214894</a>		Fastener, End Cap
12	215821	Not Available	CAP, KNOB
13	<a href="#">312273</a>		Nut, Control Knob
14	<a href="#">315041</a>		Knob, Timer
15	<a href="#">315042</a>		Dial Skirt
16	<a href="#">307323</a>		Control Panel
"	<a href="#">210932</a>		Screw, No.8 X 9/16 Ctsk Note: Screw, Inlet Duct
17	307289	Not Available	WIRE HARNESS
18	207215	Not Available	END CAP LH

*the laundry company*<sup>®</sup>

*the laundry company*<sup>®</sup>

*the laundry company*<sup>®</sup>