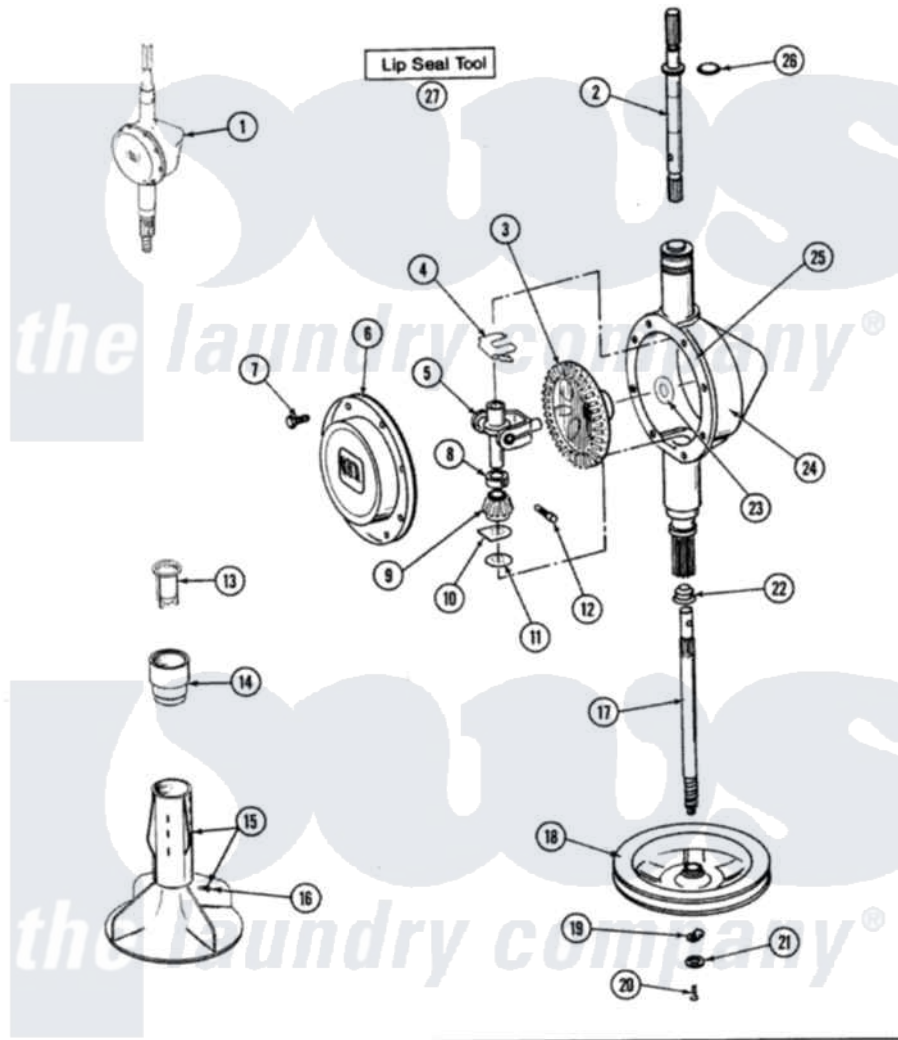


Maytag ESE9900 16 - TRANSMISSION (ESE9900 & ESG9900)

SECTION: TRANSMISSION - ORBITAL
 MODEL: ESE9900 - ESG9900



Issue Date: 1/91

32

Maytag Residential Maytag ESE9900 Stacked Washer and Dryer Parts Parts Diagram 16 - TRANSMISSION (ESE9900 & ESG9900)

[Click on the part number to view part](#)

| Item | Original Part Number | Replaced By | Status | Part Description |
|------|-------------------------|---------------------------|---------------|---------------------------|
| 1 | 206707 | 6-2097750 | | Trans Dee |
| 2 | 207153 | 6-2097820 | | Kit- Shaft |
| 3 | 206713 | 6-2067130 | | Gear- Beve |
| 4 | 215581 | | | Spring, Agitator Shaft |
| 5 | 206685 | 6-2066850 | | Yoke |
| 6 | 206628 | | | Cover, Transmission |
| 7 | 215417 | | Not Available | SCREW, TRANSMISSION COVER |
| 8 | 215415 | | Not Available | COLLAR, LOWER |
| 9 | 215401 | W10221114 | | Pinion |
| 10 | 215395 | | | Plate, Clutch |
| 11 | 211483 | 6-2114830 | | Washer- SP |
| 12 | Y206629 | | | Pin, Collar |
| 13 | 215733 | | | Dispensing Cup |
| 14 | 215721 | | | Dispensing Cap |
| 15 | 207538 | | | Agitator W/Lock Screw |

| | | | |
|----|------------------------|---------------------------|---------------------------------|
| 16 | 206478 | Not Available | SCREW & WASHER FOR AGITATOR |
| 17 | 215410 | 12001450 | Ctr Shaft W/Collar Andkeeper-Dp |
| 18 | 211059 | 6-2301530 | Pulley |
| 19 | 211089 | | Lug, Stop Pulley |
| 20 | 211375 | 681582 | Screw |
| 21 | 211090 | 22003555 | Washer, Stop Lug |
| 22 | 206602 | 207843 | Lip Seal Repair Kit |
| 23 | 215394 | | Washer, Bevel Gear |
| 24 | 206624 | 6-2097750 | Trans Dee |
| 25 | Y058700 | 675652 | Adhesive |
| 26 | 210690 | | Seal, Rubber |
| 27 | 038228 | 20000021 | Lip Seal Tool Kit |

the laundry company[®]

the laundry company[®]

the laundry company[®]