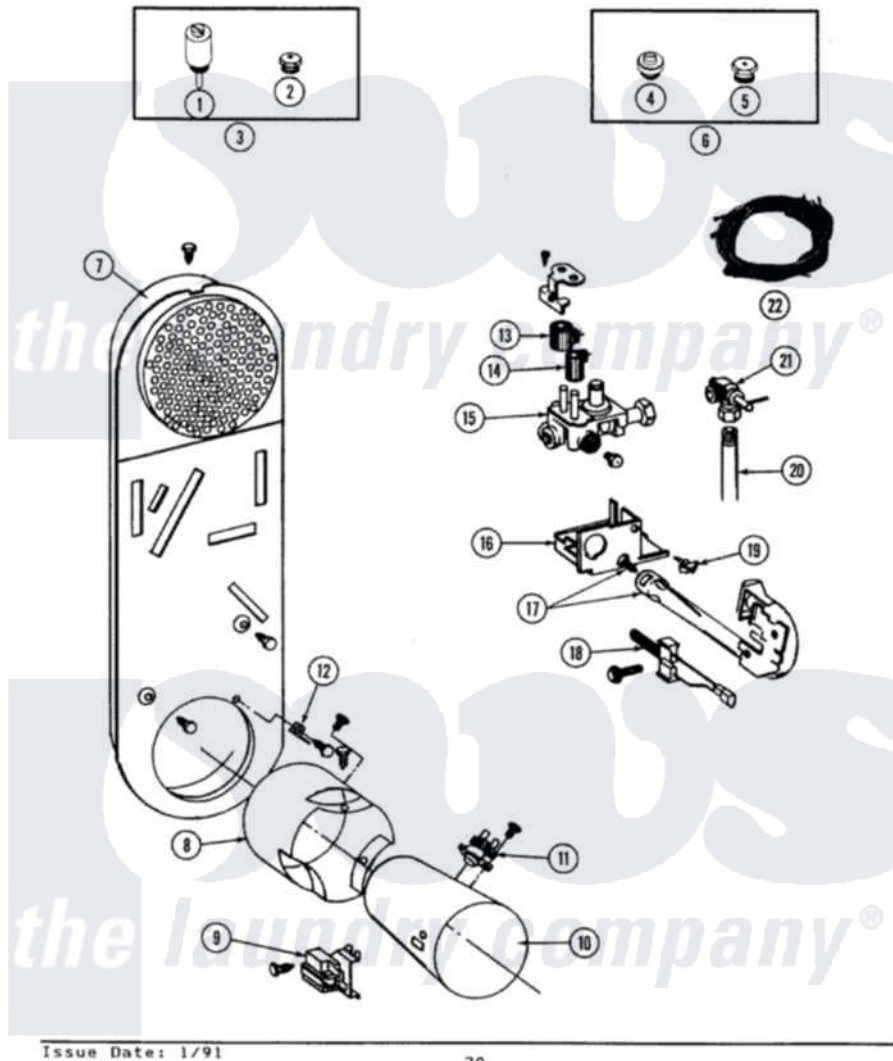


Maytag ESG9900 12 - INLET DUCT, GAS VALVE & EXT. (ESG9900)

SECTION: INLET DUCT, GAS VALVE & EXTENSION
 MODEL: ESG9900



Issue Date: 1/91

20

Maytag Residential Maytag ESG9900 Stacked Washer and Dryer Parts Parts Diagram 12 - INLET DUCT, GAS VALVE & EXT. (ESG9900)

[Click on the part number to view part](#)

Item	Original Part Number	Replaced By	Status	Part Description
1	306184		Not Available	PLUG, BLOCKING (LPG REGULATOR)
2	311640		Not Available	ORIFICE FOR MAIN BURNER
3	306205			Conversion Kit-Nat. To LPG
4	314602	694424		Leak, Limiter
5	314603			Main Burner Orifice-NAT
6	306206		Not Available	CONVERSION KIT-LPG TO NAT.
7	Y303369			Inlet Duct Assembly
"	211294	90767		Screw, 8A X 3/8 HeX Washer Head Tapping
8	211294	90767		Screw, 8A X 3/8 HeX Washer Head Tapping
"	314509			Combustion Cone Extension
9	211294	90767		Screw, 8A X 3/8 HeX Washer Head Tapping
"	Y303377	338906		Radiant, Sensor
10	Y303368			Cone, Combustion

"	211294	90767	Screw, 8A X 3/8 HeX Washer Head Tapping
11	303395		Thermostat, Hi-Limit
"	211294	90767	Screw, 8A X 3/8 HeX Washer Head Tapping
12	211294	90767	Screw, 8A X 3/8 HeX Washer Head Tapping
"	Y312890		Retainer, Heater Chamber
13	306106		Coil, Holding And Booster--W
14	306105	694540	Coil, 60 Hz
15	306084		Valve, Gas
"	314082	90767	Screw, 8A X 3/8 HeX Washer Head Tapping
16	314508		Bracket For Gas Valve
17	306162	Not Available	BURNER ASSEMBLY WITH SCREW
"	Y251119	3177991	Screw
18	304971		Screw Note: Screw, Igniter
"	304970	4391996	Ignitor
19	Y313262	W10116752	Retainer-
20	310454	Not Available	MANIFOLD, 2 INCH
21	306086		Angle Shut Off For Gas Valve
22	306090		Wire Harness For Gas Valve

