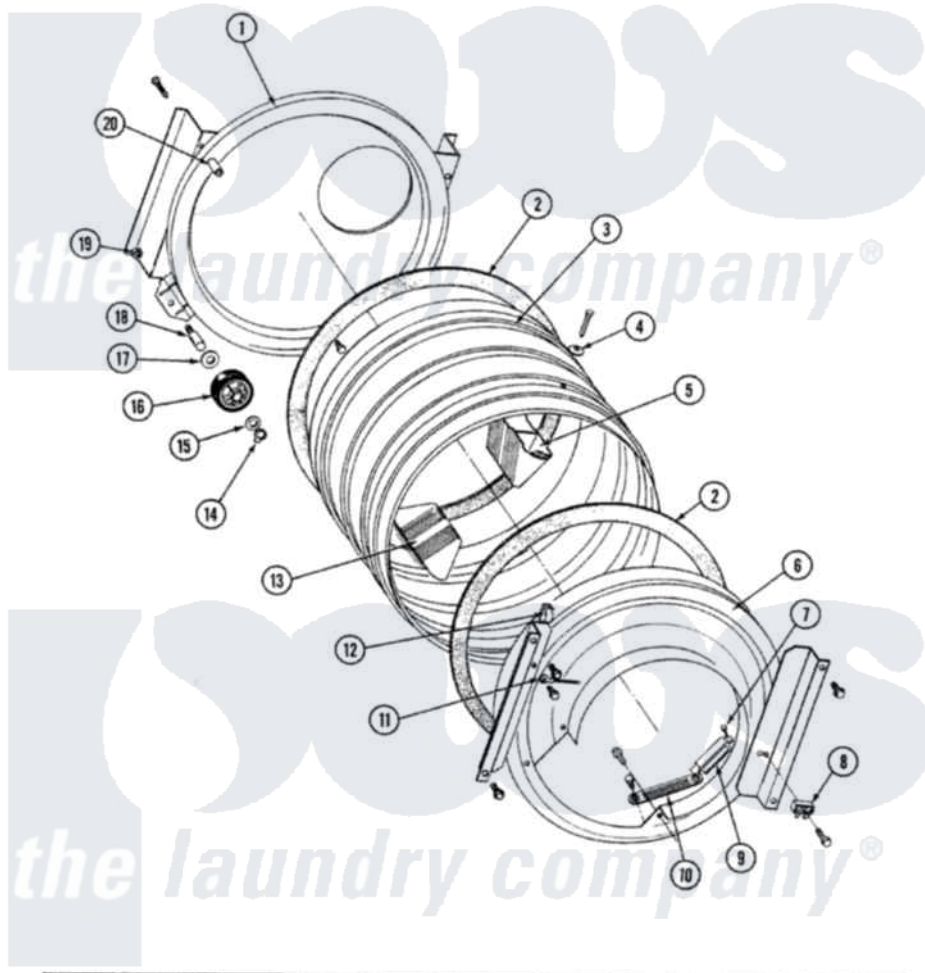


Maytag ESG9900 20 - TUMBLER (FRT & BACK) (ESE9900 & ESG9900)

SECTION: TUMBLER, TUMBLER FRONT & TUMBLER BACK

MODEL: ESE9900 - ESG9900



Issue Date: 1/91

12

Maytag Residential Maytag ESG9900 Stacked Washer and Dryer Parts Parts Diagram 20 - TUMBLER (FRT & BACK) (ESE9900 & ESG9900)

[Click on the part number to view part](#)

Item	Original Part Number	Replaced By	Status	Part Description
1	Y306660	33001106		Back, Tumbler
"	211294	90767		Screw, 8A X 3/8 HeX Washer Head Tapping
"	313764		Not Available	SCREW
2	314820			Seal, Tumbler
3	Y310759			Screw, Tumbler Baffles
"	Y306664	33001177		Tumbler
"	314805	33001177		Tumbler
4	314158			Washer, Baffle To Tumbler
5	Y310759			Screw, Tumbler Baffles
"	314807		Not Available	TUMBLER BAFFLE - TALL
6	Y314110	33002917		Screw, No.10-16
"	Y313561			Screw---NA
"	Y310632	1163839		Screw
"	306710			Tumbler Front Assembly
7	210720			Rivet, Bearing To Tumbler Frmt

8	306130		Spark Gap Assembly
"	314554	Not Available	SCREW
9	306508		Tumbler Bearing Kit ---W
10	Y251119	3177991	Screw
"	304997		Sensor Assembly With Screws
11	901220		Ground Wire
"	211294	90767	Screw, 8A X 3/8 HeX Washer Head Tapping
12	Y310376		Clip, Door Switch Harness
13	314806	Not Available	TUMBLER BAFFLE - SHORT
"	Y310759		Screw, Tumbler Baffles
14	410233	9703438	Ring-Retrn
15	312535		Washer, Vault Mounting Brk.
16	Y303373	12001541	Drum Roller/Washer Assembly--W
17	Y313347	312535	Washer, Vault Mounting Brk.
18	Y312948	6-3129480	Shaft- Tumbler
19	312538	33001443	Nut, Hex
20	313915	31-3915	Tech Sheet

