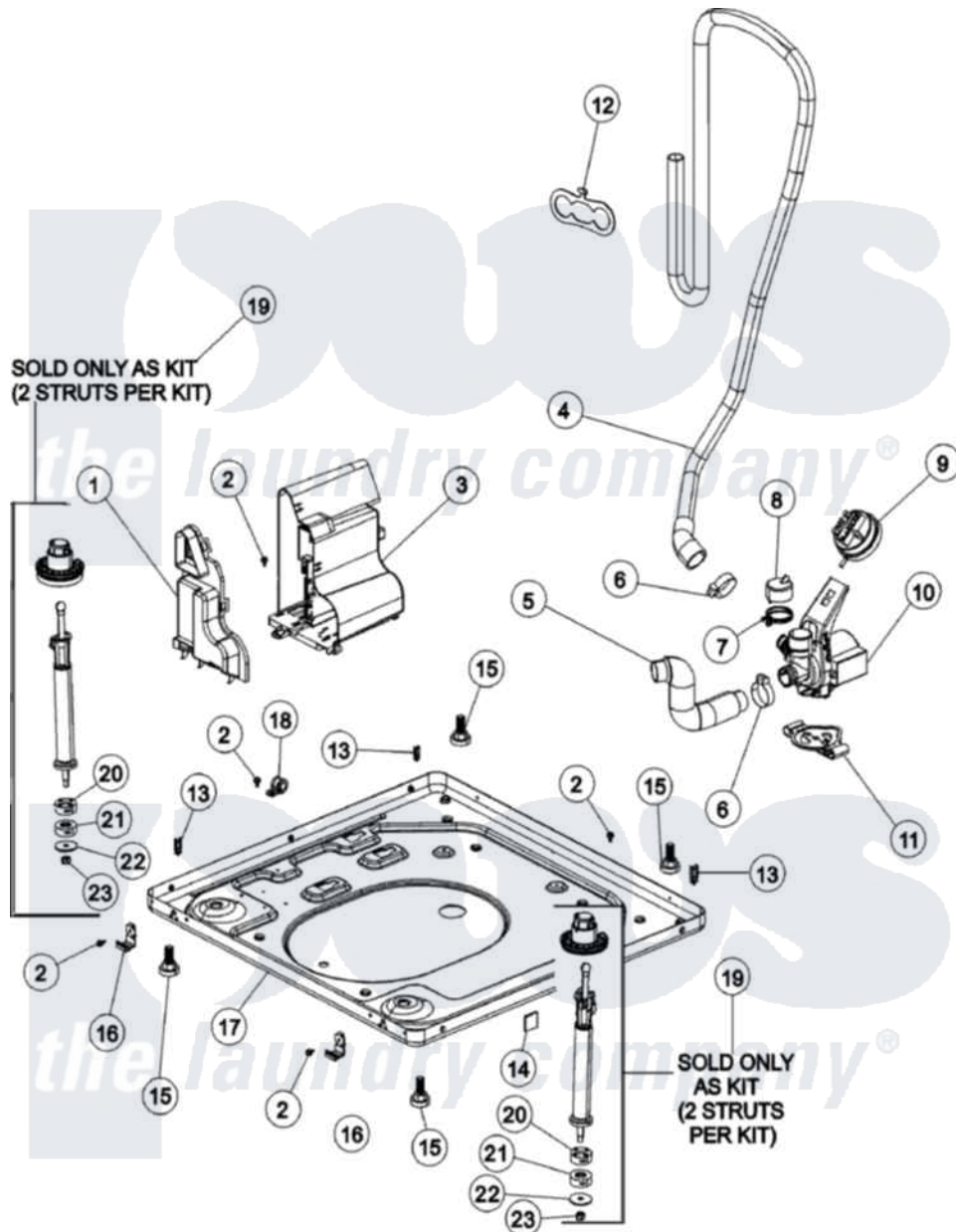


# Maytag FAV9800AWW 01 - BASE



Maytag [Residential Maytag FAV9800AWW Washer Parts](#) Parts Diagram 01 - BASE  
 Click on the part number to view part

Item	Original Part Number	Replaced By	Status	Part Description
1	<a href="#">25001033</a>			Drip Shield, Motor Control
2	<a href="#">33002190</a>			SCrew, C BraCe, BraCket, Cabinet
3	<a href="#">25001079</a>			Motor Control Assembly W/Brkt
4	<a href="#">25001050</a>			Hose, Drain
5	<a href="#">25001051</a>			Hose, Tub To Pump
6	22001984	<a href="#">285655</a>		Clamp, Hose
7	22002853	<a href="#">285655</a>		Clamp, Hose
8	<a href="#">22003268</a>			Cap, Rubber
9	<a href="#">25001053</a>			Pressure Switch
"	<a href="#">25001204</a>			Pressure Switch
10	<a href="#">25001052</a>			Pump Assembly
11	<a href="#">25001012</a>			Pump Isolator Bracket
12	<a href="#">22002892</a>			Retainer, Drain Hose
13	<a href="#">22003298</a>			Retainer, Wire
14	<a href="#">22002782</a>			Pad, Foam

15	<a href="#">25001119</a>		Foot And Pad Assembly
16	<a href="#">22004045</a>		Clip, Lower Front Panel
17	25001007	Not Available	BASE ASSY, AS-PACK
18	<a href="#">22004102</a>		P Clips
19	<a href="#">12002202</a>		Base Strut Assembly - As Pk - Kit
20	<a href="#">25001142</a>		Isolator, Male
21	<a href="#">25001141</a>		Strut Isolator, Male
22	<a href="#">22002320</a>		Washer, Belt Tension Bolt
23	<a href="#">22002321</a>		Nut, Locking

