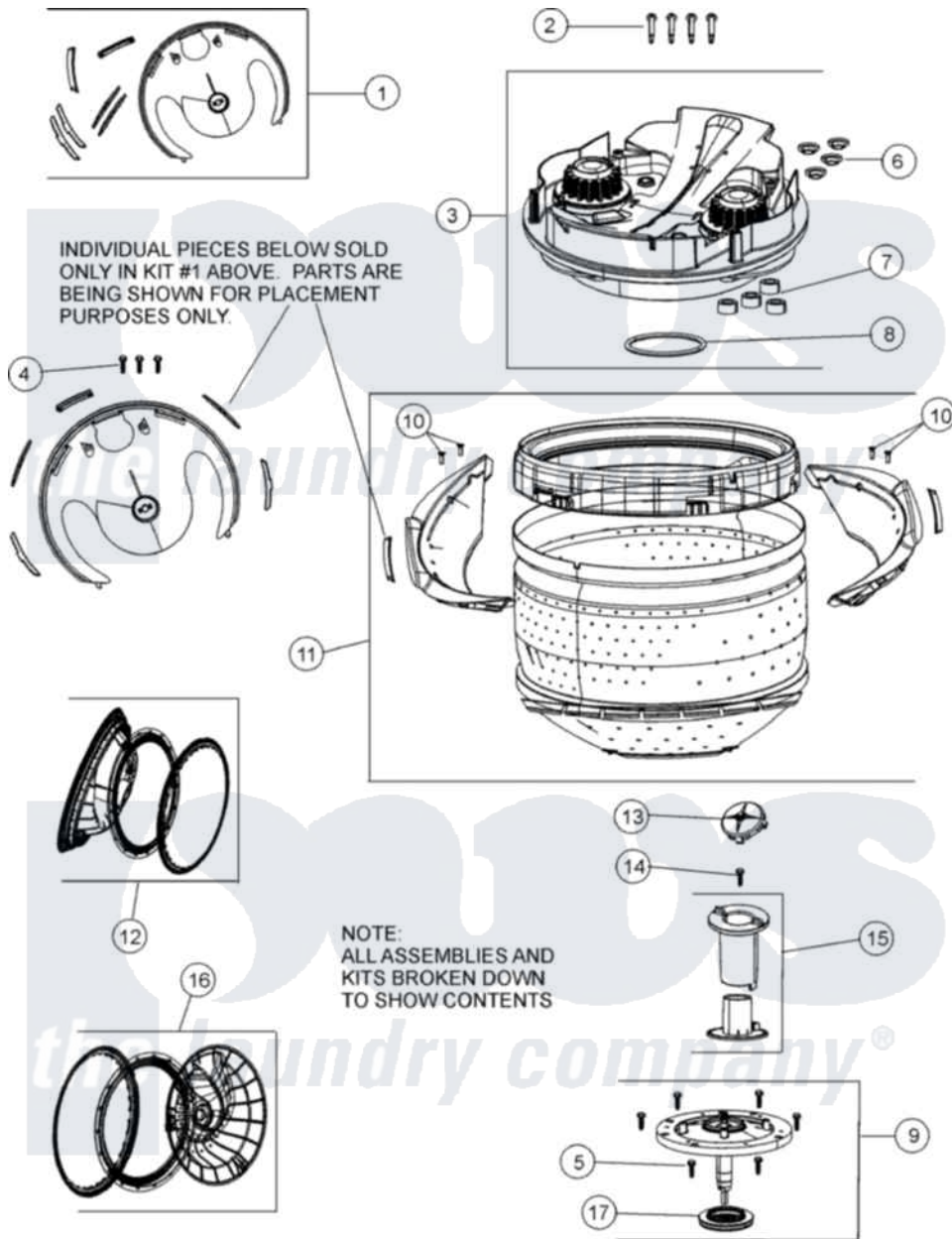


Maytag FAV9800AWW 04 - INNER TUB / SPINNER



Maytag Residential Maytag FAV9800AWW Washer Parts Parts Diagram 04 - INNER TUB / SPINNER
 Click on the part number to view part

| Item | Original Part Number | Replaced By | Status | Part Description |
|------|---------------------------|--------------------------|--------|------------------------------|
| 1 | 12002196 | | | Lifter Bearing Kit |
| 2 | 25001059 | | | Screw No.8-18 1/2 C' Sink SS |
| 3 | 25001089 | | | Transmission Assembly |
| 4 | 25001011 | | | Screw, No.8 SS |
| 5 | 25001091 | | | Bolt, 5/16 |
| 6 | 25001104 | | | Rubber Isolator Pad |
| 7 | 25001103 | | | Rubber Isolator Sleeve |
| 8 | 25001105 | | | O-Ring Seal |
| 9 | 25001057 | | | Spinner Support Assembly |
| 10 | 25001059 | | | Screw No.8-18 1/2 C' Sink SS |
| 11 | Y25001058 | | | Spinner Assembly |
| 12 | 25001144 | 12002203 | | Lifter Assembly |
| 13 | 25001010 | | | Lifter Cap, Plastic |
| 14 | 25001011 | | | Screw, No.8 SS |
| 15 | 12002195 | | | Lifter Flange Bearing Kit |
| 16 | 25001145 | 12002204 | | Lifter Assembly |

