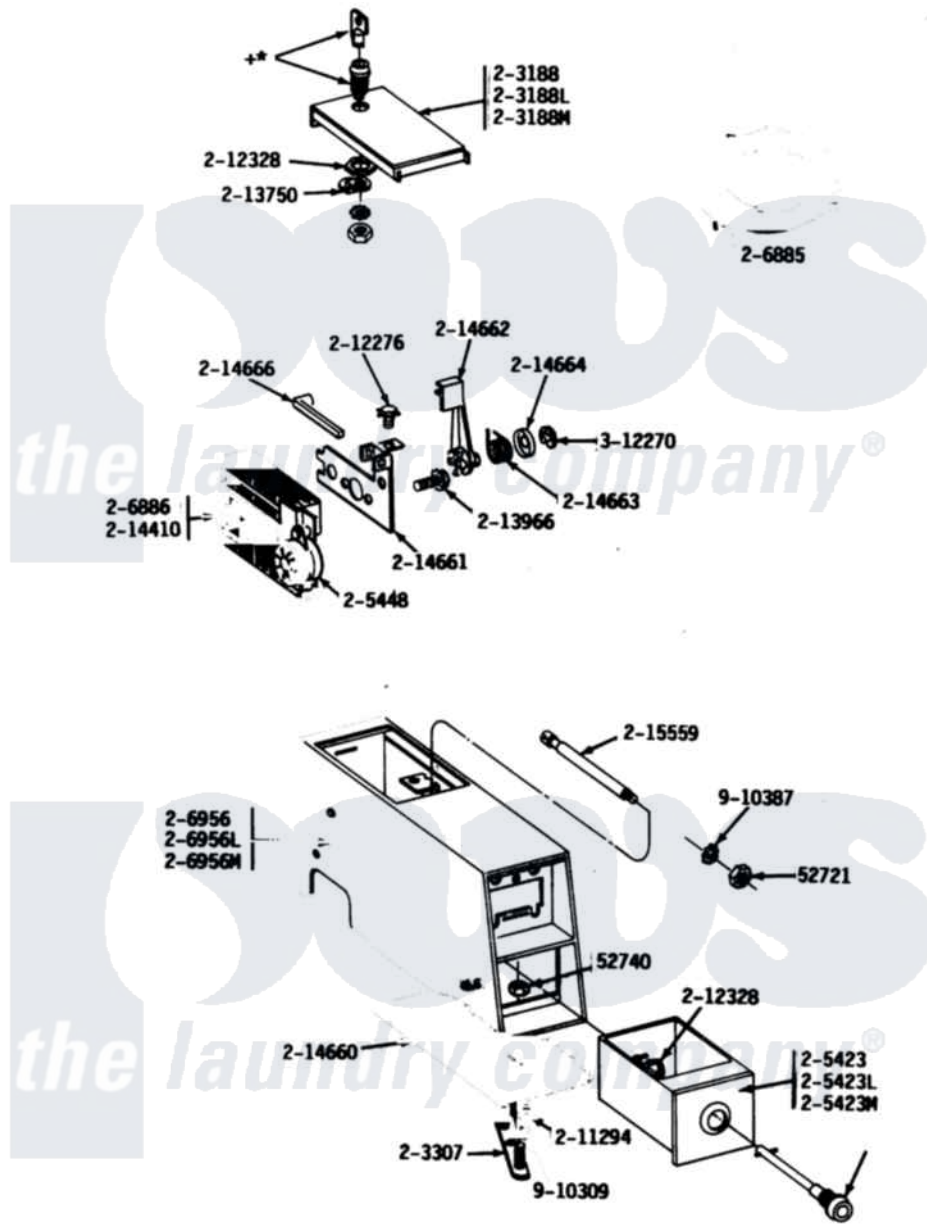


Maytag GA25CME 03 - CONTROL CENTER



Maytag [Residential Maytag GA25CME Washer Parts](#) Parts Diagram 03 - CONTROL CENTER
 Click on the part number to view part

| Item | Original Part Number | Replaced By | Status | Part Description |
|------|-------------------------|--------------------------|---------------|---------------------------|
| 001 | Y052721 | | | Nut, Terminal Block Plate |
| 002 | Y052740 | 62739 | | Nut, Lock |
| 003 | 203188 | | Not Available | TIMER ACCESS DOOR (WHT) |
| " | 203188L | | Not Available | ACCESS DOOR-ALMOND |
| " | 203188M | | Not Available | ACCESS DOOR-HARVEST WHEAT |
| NI | NLA | | Not Available | MTG. STRAP----NA |
| 005 | 205423 | 208883 | | Coin Box K |
| " | 205423L | 208883 | | Coin Box K |
| " | 205423M | 208883 | | Coin Box K |
| 006 | 205448 | | Not Available | MOTOR, TIMER (120-60) |
| NI | NLA | | Not Available | WIRE HARNESS |
| 008 | 206886 | 12001906 | | Timer |
| NI | 206917 | | Not Available | TIMER & ACUTATOR ASSEMBLY |
| 010 | 206956 | 22001405 | | Case, Coin Slide |

| | | | |
|-----|-------------------------|---------------------------|-----------------------------------------|
| " | 206956L | 22001405 | Case, Coin Slide |
| " | 206956M | 22001405 | Case, Coin Slide |
| 011 | 211294 | 90767 | Screw, 8A X 3/8 HeX Washer Head Tapping |
| 012 | 212276 | W10116760 | Screw |
| 013 | 212328 | W10139762 | Hex Nut, 3/4-27 |
| 014 | 213750 | W10133266 | Cam-Lock |
| 015 | 213966 | 3400014 | Screw |
| 016 | 214410 | | Label, Timer Caution |
| 017 | 214660 | | Gasket, Control Center |
| 018 | 214661 | | Bracket For Timer |
| 019 | 214662 | 22001042 | Pivot Arm, Timer |
| 020 | 214663 | | Spring For Timer Lever |
| 021 | 214664 | 22001398 | Retainer, Spring---NA |
| 022 | 214666 | 216442 | Rod, Actuator |
| 023 | 215559 | | Bolt, Coin Slide Locking |
| 024 | Y312270 | | Clip, Spring Retainer |
| 025 | 910309 | | Washer, Mounting Strap |
| 026 | 910387 | | Lockwasher, Vault Assembly |

