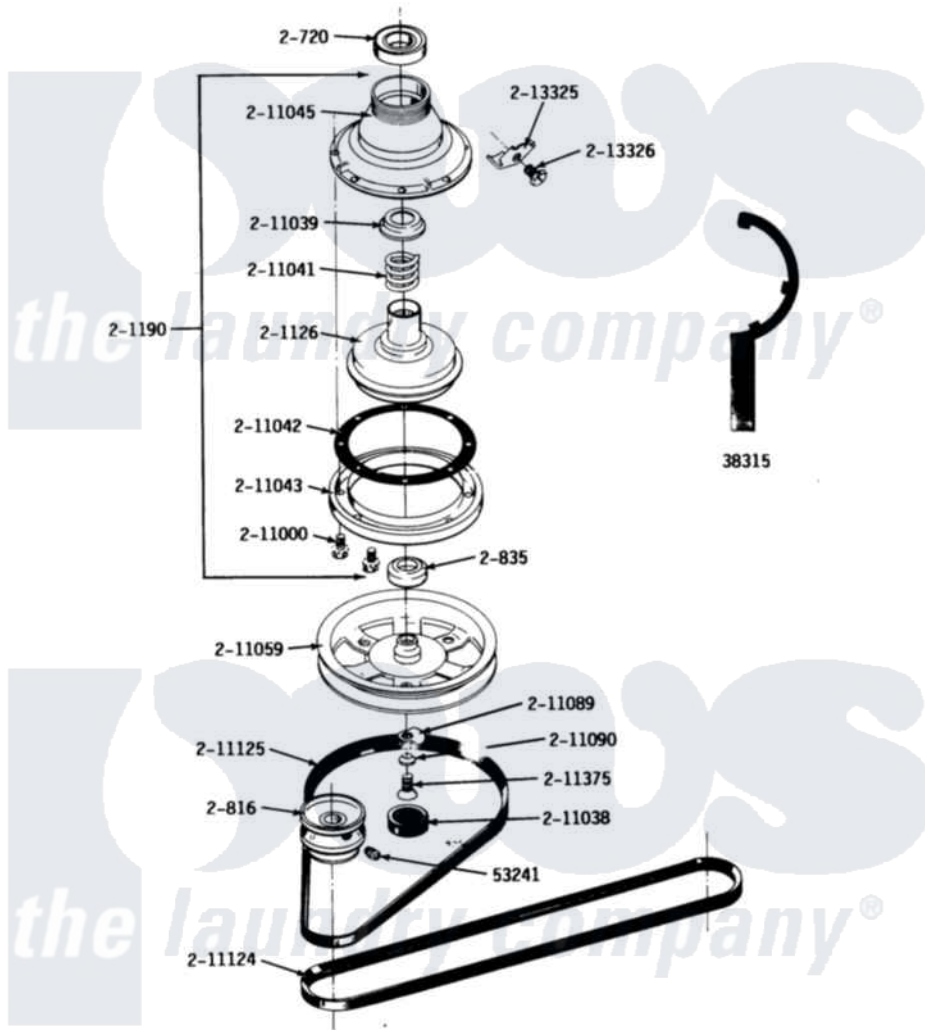


# Maytag GA25CME 10 - CLUTCH, BRAKE & BELTS

ALL MODELS

CLUTCH, BRAKE AND BELTS



Maytag [Residential Maytag GA25CME Washer Parts](#) Parts Diagram 10 - CLUTCH, BRAKE & BELTS  
 Click on the part number to view part

Item	Original Part Number	Replaced By	Status	Part Description
001	Y038315	<a href="#">038315</a>		Tool
002	<a href="#">Y053241</a>			Set Screw, Motor Pulley
003	Y200720	<a href="#">22003441</a>		Bearing, Rear
004	200816	<a href="#">6-2008160</a>		Pulley- MO
005	<a href="#">200835</a>			Bearing, Brake Rotor
006	201126	<a href="#">6-2011900</a>		Brake Asse
007	201190	<a href="#">6-2011900</a>		Brake Asse
008	211000			SCREW, BRAKE DRUM (HEX HEAD)
NI	NLA		Not Available	CAP, OIL RETAINER
010	211039	<a href="#">6-2011900</a>		Brake Asse
011	211041	<a href="#">6-2011900</a>		Brake Asse
012	211042	<a href="#">6-2011900</a>		Brake Asse
013	211043	<a href="#">6-2011900</a>		Brake Asse
014	211045	<a href="#">6-2011900</a>		Brake Asse
015	211059	<a href="#">6-2301530</a>		Pulley
016	<a href="#">211089</a>			Lug, Stop Pulley

017	211090	<a href="#">22003555</a>	Washer, Stop Lug
018	<a href="#">211124</a>		Part Not Used
019	<a href="#">211125</a>		V Belt, Drive Pulley
020	211375	<a href="#">681582</a>	Screw
021	<a href="#">213325</a>		Clip, Retaining
022	<a href="#">213326</a>		Bolt, Sems Retaining Clip

