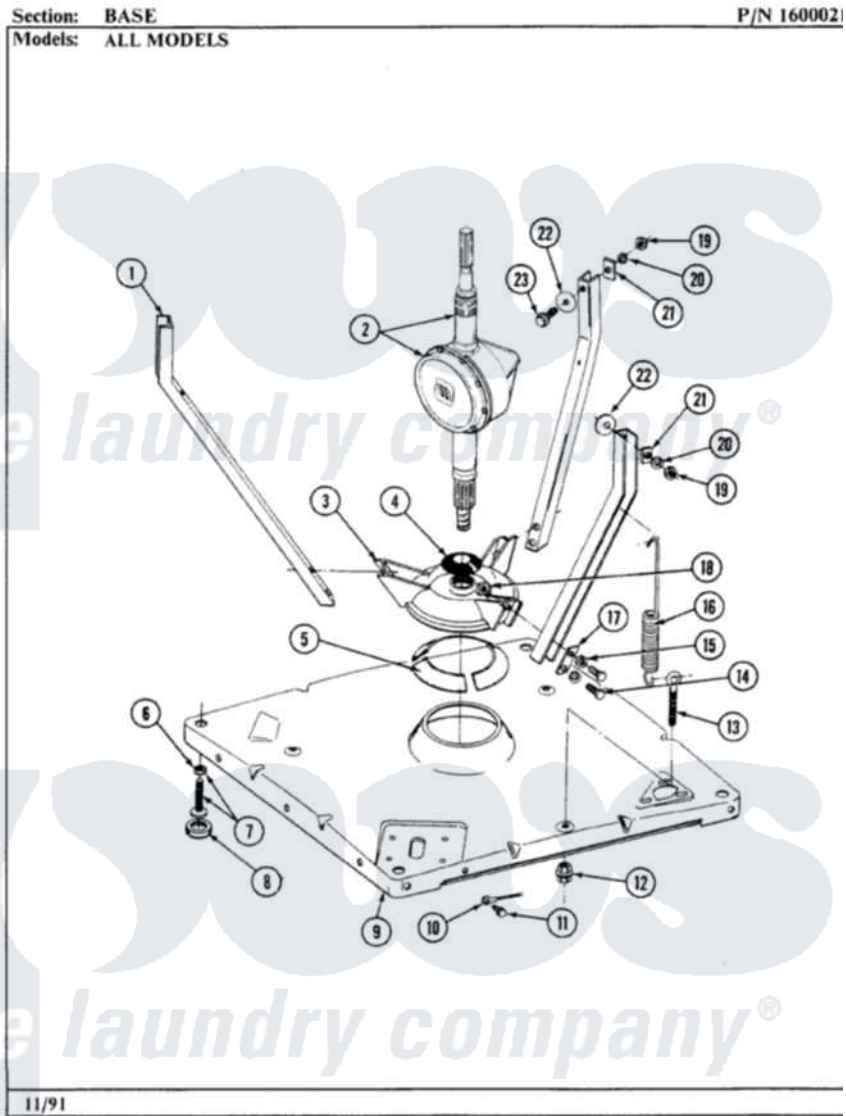


Maytag GA282 01 - BASE



Maytag [Residential Maytag GA282 Washer Parts](#) Parts Diagram 01 - BASE
 Click on the part number to view part

| Item | Original Part Number | Replaced By | Status | Part Description |
|------|-------------------------|---------------------------|---------------|--------------------------------------|
| 1 | 213100 | | Not Available | PART NOT USED |
| 2 | 206708 | 6-2097790 | | Transmison |
| 3 | 203725 | | | Damper W/Bolt And Clip |
| 4 | 211028 | 22001586 | | Deflector, Water |
| 5 | 203956 | | | Damper Pad Kit |
| 6 | 210385 | | | Lock Nut For Adjustable Leg |
| 7 | Y302699 | 22003428 | | Leg, Adjustable |
| 8 | 210684 | | | Foot, Adjustable Leg |
| 9 | 203274 | | | Base With Damper Pads |
| 10 | 204807 | | | Ground Wire, Supp. Plte To Top Cover |
| 11 | 210186 | 3370225 | | Screw |
| 12 | 211949 | | | Nut, Adjustment Eyebolt |
| 13 | 213120 | 216416 | | Bolt, Eye/Centering Spring |
| 14 | Y015627 | | | Screw- Hex |
| 15 | 911852 | 486009 | | Lockwasher |
| 16 | 213054 | | | Centering Spring - 3 Used |

| | | | |
|----|-------------------------|---------------------------|--------------------------------|
| 17 | 213073 | | Washer, Double Brace |
| 18 | Y052785 | | Nut, Brace To Damper |
| 19 | Y052734 | | Nut, Carrage Bolts And Bracket |
| 20 | Y054867 | | Washer, Lock |
| 21 | 212979 | Not Available | WASHER, TUB BRACE |
| 22 | 211100 | | Washer, Outer Tub |
| 23 | 200744 | W10175939 | Bolt |
| " | 205254 | W10175938 | Bolt |

