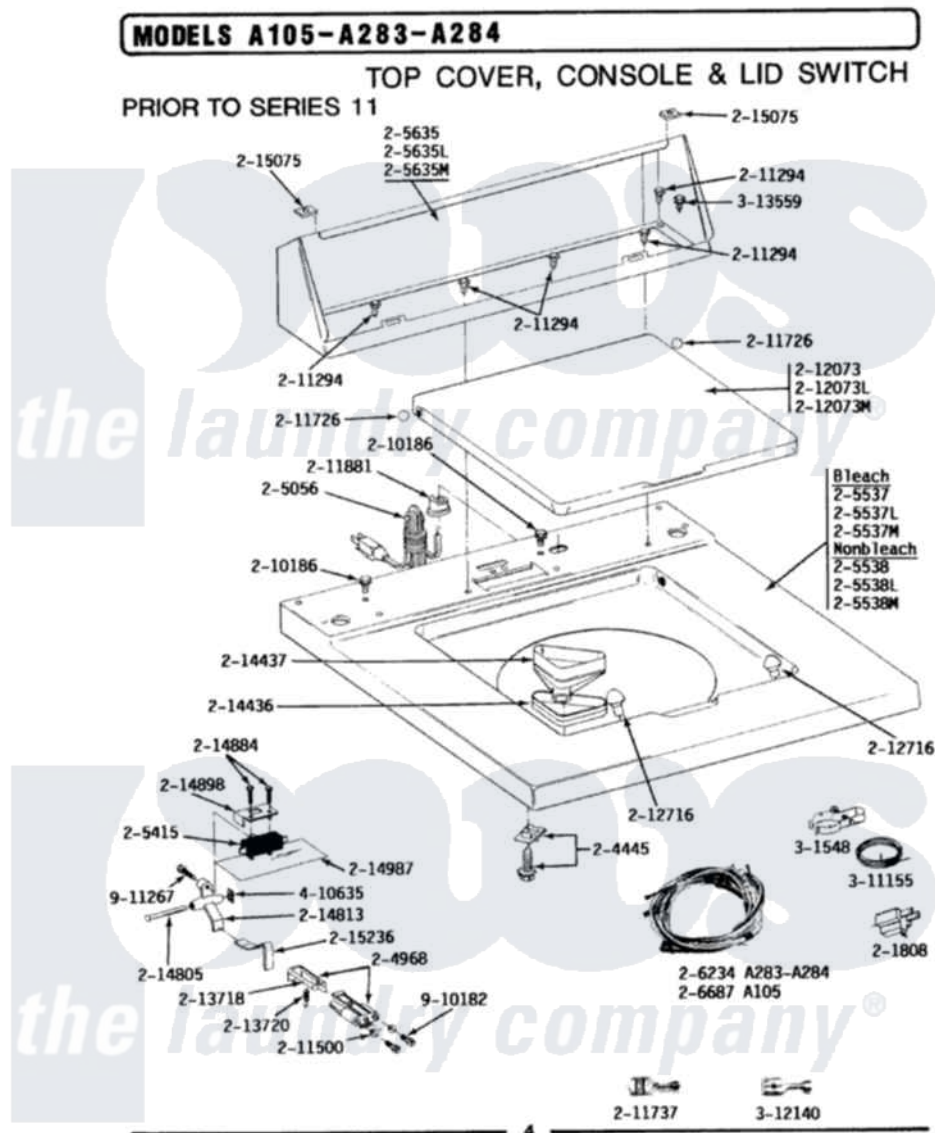


# Maytag GA283 06 - TOP COVER, CONSOLE & LID SWITCH



Maytag Residential Maytag GA283 Washer Parts Parts Diagram 06 - TOP COVER, CONSOLE & LID SWITCH  
 Click on the part number to view part

Item	Original Part Number	Replaced By	Status	Part Description
1	<a href="#">Y201808</a>			Converter
2	<a href="#">204445</a>			Screw And Fastener Assembly
3	<a href="#">204968</a>			Plunger And Bracket Assembly--W
4	205056	<a href="#">204590</a>		Cord, Power
5	205415	<a href="#">279347</a>		Switch-Lid
8	205538M		Not Available	TOP COVER-HARVEST WHEAT
11	205635M		Not Available	CONSOLE (HVST WHEAT)
12	206234		Not Available	WIRE HARNESS
13	210186	<a href="#">3370225</a>		Screw
14	211294	<a href="#">90767</a>		Screw, 8A X 3/8 Hex Washer Head Tapping
15	<a href="#">211500</a>			Washer, Bracket To Top Cover
16	<a href="#">211726</a>			Hinge, Ball Lid
17	211737	<a href="#">248562</a>		Terminal
18	<a href="#">211881</a>			Grommet, Cord Part Not Used-Gas Models Only

36	212073M		Not Available	LID-HARVEST WHEAT
37	<a href="#">212716</a>			Bumper, Lid
38	<a href="#">213718</a>			Plunger, Lid Switch
39	<a href="#">213720</a>			Spring, Lid Switch
40	<a href="#">214805</a>			Pin For Unbalance Lever
NI	214813		Not Available	LEVER FOR LID SWITCH
"	214884	<a href="#">213501</a>		Screw, No.6-20 X 1-1/8 Inch
"	<a href="#">214898</a>			Cover For Lid Switch
"	<a href="#">215075</a>			Fastener, Control Panel To Console
"	215236	<a href="#">214804</a>		Unbalance Lever
"	<a href="#">214987</a>			Moisture Barrier For Switch
"	<a href="#">301548</a>			Clamp, Ground Wire
"	<a href="#">311155</a>			Ground Wire And Clamp
"	<a href="#">Y312140</a>			Wire Connector
"	<a href="#">Y313559</a>			Screw
"	<a href="#">410635</a>			Fastener
"	910182	<a href="#">25-7809</a>		Screw, No.6-20 1/2 Flthd Torx
"	<a href="#">911267</a>			Screw, Pump Cover

