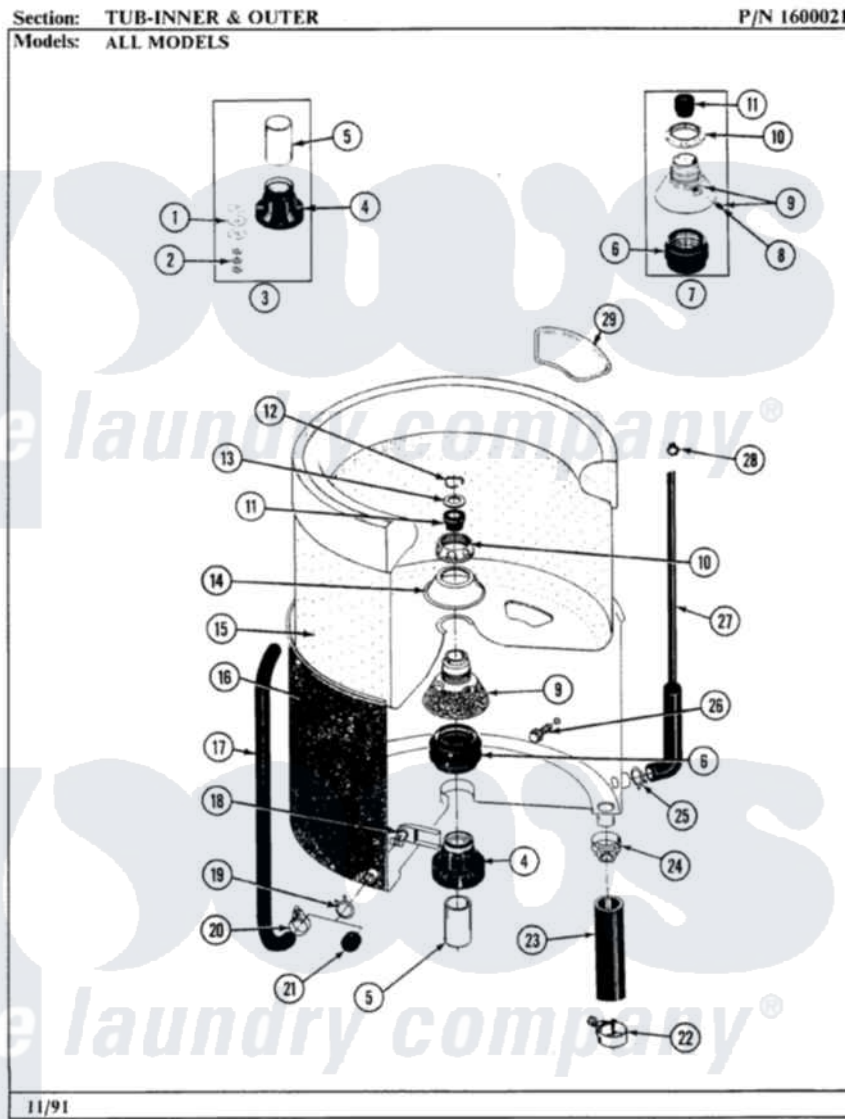


Maytag GA382 09 - TUB-INNER & OUTER



20

Maytag Residential Maytag GA382 Washer Parts Parts Diagram 09 - TUB-INNER & OUTER
Click on the part number to view part

| Item | Original Part Number | Replaced By | Status | Part Description |
|------|-------------------------|---------------------------|---------------|----------------------------|
| 1 | 211100 | | | Washer, Outer Tub |
| 2 | Y054867 | | | Washer, Lock |
| 3 | 204013 | 6-2040130 | | Tub Bearin |
| 4 | 200824 | 6-2040130 | | Tub Bearin |
| 5 | 211130 | | | Bearing Liner, Tub Bearing |
| 6 | 201537 | 6-2095720 | | Mounting S |
| 7 | 204012 | 6-2095720 | | Mounting S |
| 8 | 211618 | 22001423 | | Set Screw, Mounting Stem |
| 9 | 202521 | 6-2095720 | | Mounting S |
| 10 | 211047 | 6-2110472 | | Nut- Clamp |
| 11 | Y0A4298 | 6-0A57420 | | Seal- Agitator |
| 12 | Y015667 | | | Retaining Ring |
| 13 | Y015666 | | | Washer, Retaining - |
| 14 | 211210 | | | Washer, Clamping Nut |
| 15 | 207831 | | Not Available | TUB, INNER (W/PLUG) |
| 16 | 205484 | | | Tub, Outer Part Not Used |

| | | | |
|----|------------------------|---------------------------|-------------------------------|
| 17 | 214433 | | Tube, Inlet Part Not Used |
| 18 | 214434 | | Spout, Deflector |
| 19 | 214739 | 596669 | Clamp, Manifold |
| 20 | 205161 | 489503 | Clamp |
| 21 | 214725 | | Cap For Spout-Outer Tub |
| 22 | 200461 | 285655 | Clamp, Hose |
| 23 | 213045 | | Hose, Outer Tub Part Not Used |
| 24 | 200900 | 616099 | Clamp |
| 25 | 211641 | | Clamp, 1-1/16" |
| 26 | 200744 | W10175939 | Bolt |
| " | 205254 | W10175938 | Bolt |
| 27 | 212942 | 22001619 | Tube, Water Level Switch |
| 28 | 410296 | 596669 | Clamp, Manifold |
| 29 | 215980 | | Plug, Filter Hole |

