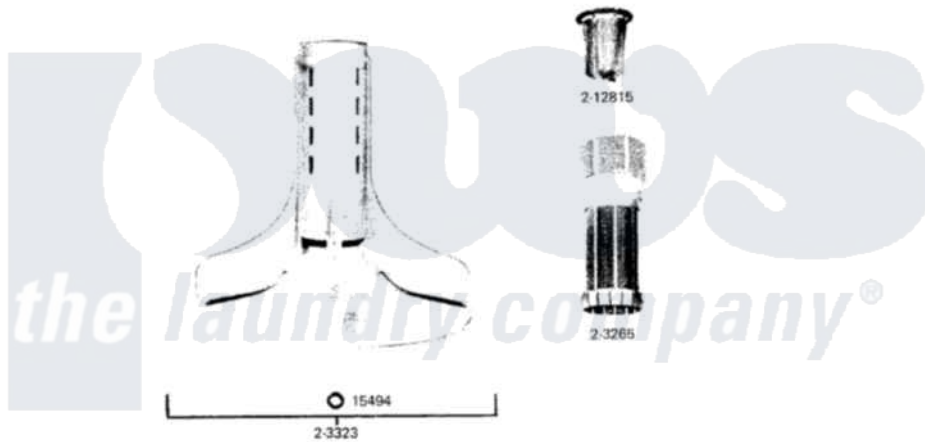
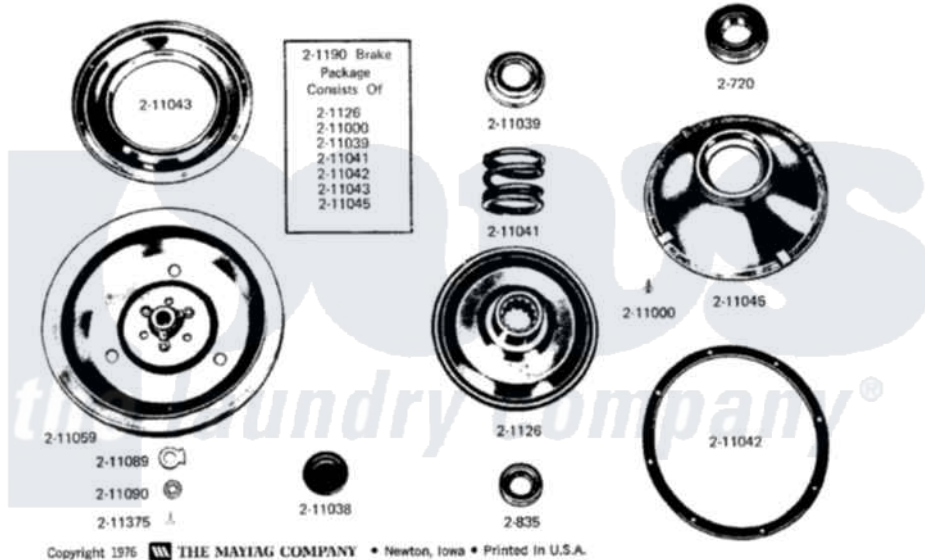


AGITATOR & ACCESSORIES



BRAKE & CLUTCH ASSEMBLY



Copyright 1976 THE MAYTAG COMPANY • Newton, Iowa • Printed in U.S.A.

Maytag [Residential Maytag GA608 Washer Parts](#) Parts Diagram 06 - FRONT PANEL REMOVED

[Click on the part number to view part](#)

Item	Original Part Number	Replaced By	Status	Part Description
1	Y015408	22003235		Screw, Bearing Insert
2	Y015627			Screw- Hex
3	Y052734			Nut, Carrage Bolts And Bracket
4	Y052785			Nut, Brace To Damper
5	052836		Not Available	CAP SCREW, 3/8-16 X 1
6	Y054866	486009		Lockwasher
7	Y054867			Washer, Lock
8	200744	W10175939		Bolt
9	200750		Not Available	GEAR CASE COVER
10	200813		Not Available	GEAR CASE COVER ASSEMBLY
11	200846			Clamp - Tub Cover
12	200900	616099		Clamp
13	201639			Upper Motor Mount
14	201674		Not Available	LOWER MOTOR MOUNT---- NA

15	201765		Not Available	COVER, TUB
16	201778		Not Available	TUB COVER WITH WINDOW
17	201807	12002353		Motor-Drve
18	202203	6-2022030		Pump As Pa
19	202574	3367052		Clamp, Hose
20	Y202734	215058		Pad, Cabinet Bumper
21	203193		Not Available	GEAR HOUSING W/STUDS & TUBE
22	203274			Base With Damper Pads
23	203319	22203319		Cabinet
24	203438	W10172457		Transmison
25	203725			Damper W/Bolt And Clip
26	204439			Screw And Fstner Assembly
27	204807			Ground Wire, Supp. Plte To Top Cover
28	204998	205000		Roller And Spring Kit 4+Spr
29	205000			Roller And Spring Kit 4+Spr
30	205484			Tub, Outer Part Not Used
31	205161	489503		Clamp
32	210172			Lock Washer
33	210186	3370225		Screw
34	210385			Lock Nut For Adjustable Leg
35	210684			Foot, Adjustable Leg
36	205529			Nut And Bolt Kit For Tub Clam
37	211100			Washer, Outer Tub
38	211232			Seal, Tub Cover
39	211949			Nut, Adjustment Eyebolt
40	212336		Not Available	SCREW, No.8 X 3/4 INCH
41	212979		Not Available	WASHER, TUB BRACE
42	213045			Hose, Outer Tub Part Not Used
43	213053			Brace, Tub Part Not Used
44	213054			Centering Spring - 3 Used
45	213073			Washer, Double Brace
46	213120	216416		Bolt, Eye/Centering Spring
47	213122	27001200		Screw
48	213737			Shield, Motor
49	214376	22002331		Spacer, Front Panel
50	214433			Tube, Inlet Part Not Used
51	Y302699	22003428		Leg, Adjustable
52	Y311426	3400029		Nut, Adapter Plate
53	Y052740	62739		Nut, Lock
54	205811			Counterweight