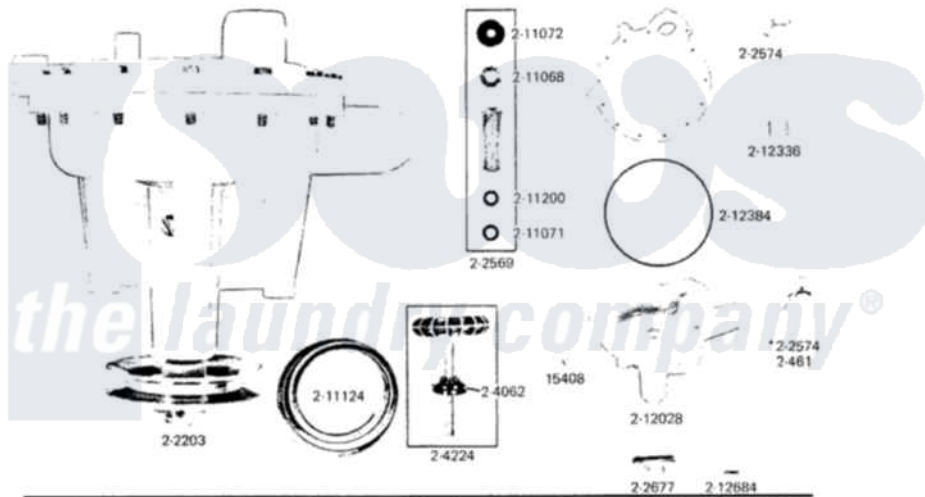
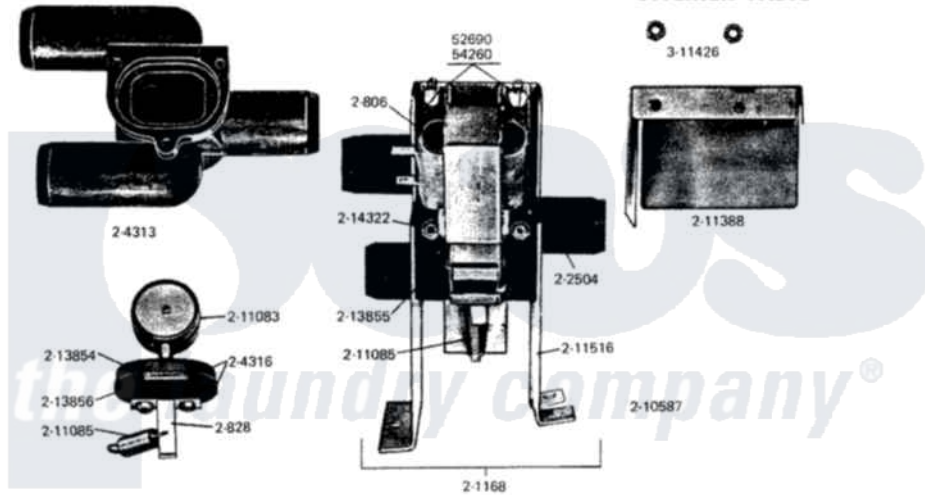


'POLY' PUMP



DIVERTER VALVE



Copyright 1976 THE MAYTAG COMPANY • Newton, Iowa • Printed in U.S.A.

Maytag Residential Maytag GA608S Washer Parts Parts Diagram 05 - DIVERTER VALVE

Click on the part number to view part

Item	Original Part Number	Replaced By	Status	Part Description
1	052690		Not Available	HEX. NUT, No.10-32
2	Y054260	67006380		Screw, Center Hinge
3	200806			Solenoid
4	200828			Valve Arm Assembly
5	201168			Diverter Valve
6	202504			Diverter Valve Cover/Flapper
7	204313			Body For Diverter Valve
8	204316			Diaphragm And Arm
9	210587	W10116760		Screw
10	211083			Flapper
11	211085			Return Spring
12	211388		Not Available	SHIELD
13	211516			Valve Bracket
14	213854			Diaphragm
15	213855			Pin, Pivot
16	213856		Not Available	RETAINER

