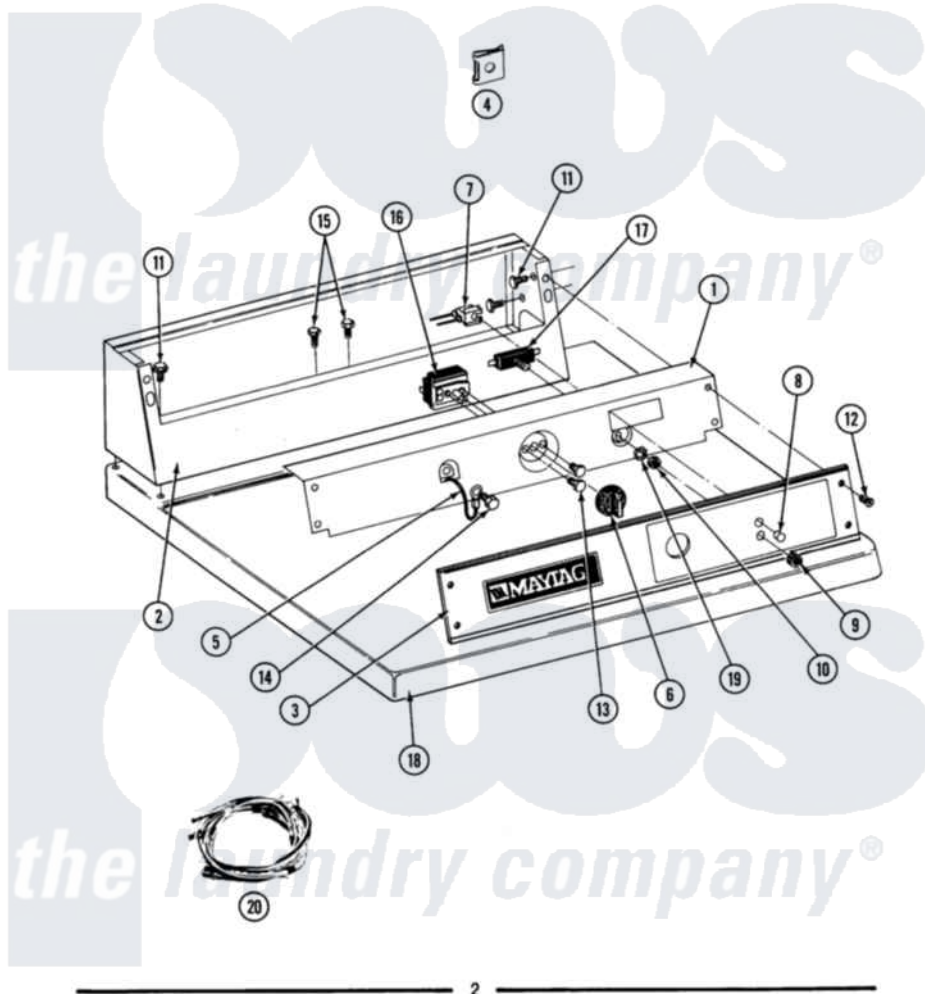


Maytag GDE26CS 01 - CONTROL PANEL

MODEL DE-DG26CS

CS CONTROL PANEL



2

Maytag [Residential Maytag GDE26CS Dryer Parts](#) Parts Diagram 01 - CONTROL PANEL

[Click on the part number to view part](#)

| Item | Original Part Number | Replaced By | Status | Part Description |
|------|-------------------------|---------------------------|---------------|------------------------------|
| 001 | 314912 | | Not Available | BRACKET, CONTROL PANEL (WHT) |
| " | NLA | | Not Available | (ALM) |
| 002 | NLA | | Not Available | CONTROL COVER (WHT) |
| 003 | NLA | | Not Available | CONTROL PANEL |
| 004 | 215003 | | | Fastener, Panel And Bracket |
| 005 | 205810 | | | Wire, Ground |
| 006 | 306938 | | | Knob, Selector Switch |
| 007 | 204075 | | Not Available | PILOT LAMP (DG MODELS ONLY) |
| " | Y305396 | | Not Available | LAMP, INDICATOR |
| 008 | 215564 | | | Lens, Indicator Light |
| 009 | Y312702 | | | Knurled Nut, Start Switch |
| 010 | Y312706 | 422617 | | Nut |
| 011 | 212276 | W10116760 | | Screw |
| " | 212276 | W10116760 | | Screw |
| 012 | 212277 | | | Screw, No.8 X 1/2 Inch |

| | | | |
|-----|------------------------|---------------------------|---|
| 013 | Y313588 | 488234 | Screw 8-32 X 1/4 |
| 014 | 211252 | | Screw, Ground Wire |
| 015 | 211294 | 90767 | Screw, 8A X 3/8 HeX Washer Head Tapping |
| " | Y314322 | 211251 | Screw, Transformer |
| 016 | 307237 | W10327105 | Switch, Cycle Selection |
| 017 | 306940 | W10149462 | Switch, Push-To-Start |
| 018 | 307105 | Not Available | COVER, TOP ASSY. (WHT) |
| " | NLA | Not Available | (ALM) |
| 019 | 312751 | | Lockwasher, Start Switch |
| 020 | 307280 | | Harness, Wire |
| " | NLA | Not Available | MAIN WIRE HARNESS |

Howes
the laundry company®

Howes
the laundry company®

Howes
the laundry company®