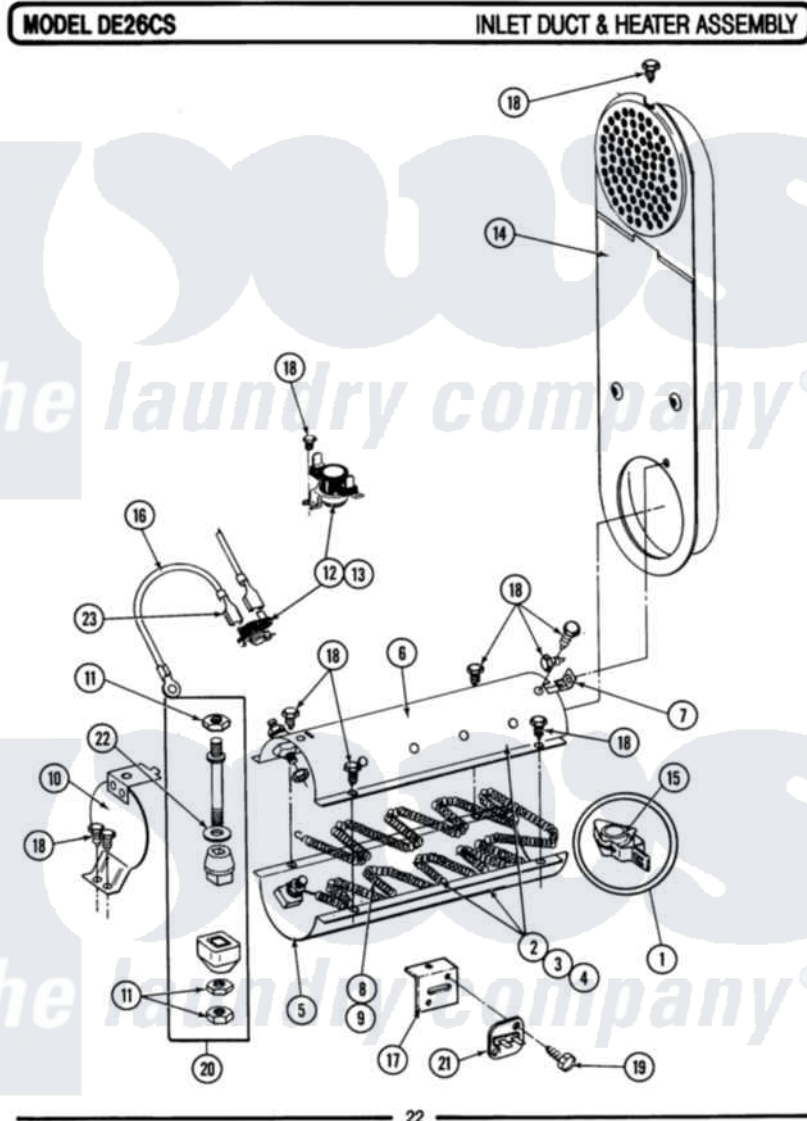


# Maytag GDE26CS 08 - INLET DUCT\HEATER ASSY.



Maytag Residential Maytag GDE26CS Dryer Parts Parts Diagram 08 - INLET DUCT\HEATER ASSY.  
 Click on the part number to view part

Item	Original Part Number	Replaced By	Status	Part Description
001	<a href="#">Y303881</a>			Clip And Insulator Assembly
002	<a href="#">Y303404</a>			Heater Assembly Complete
003	<a href="#">Y303778</a>			Heater Assembly Complete
004	Y303856		Not Available	HEATER ASSY. COMPLETE (208V)
005	<a href="#">Y313576</a>			Heater Chamber, Bottom
006	Y313575		Not Available	HEATER CHAMBER, TOP
007	<a href="#">Y312890</a>			Retainer, Heater Chamber
008	Y304837	<a href="#">W10116793</a>		Element
009	<a href="#">Y313537</a>			Heater Element 240 Volt
010	304124		Not Available	HEATER SHIELD
011	311484	<a href="#">112432</a>		Nut
012	<a href="#">303396</a>			Thermostat, Hi-Limit
013	<a href="#">303896</a>			Hi-Limit Thermostat-Canada
014	NLA		Not Available	INLET DUCT ASSY.
015	<a href="#">Y313270</a>			Insulator For Heater Elemen
016	<a href="#">Y304693</a>			Jumper Wire

017	315046		MOUNTING BRACKET
018	211294	<a href="#">90767</a>	Screw, 8A X 3/8 HeX Washer Head Tapping
019	NLA	Not Available	SCREW
020	<a href="#">Y304596</a>		Terminal Insulator Assembly
021	<a href="#">307473</a>		Fuse, Thermal
022	<a href="#">311093</a>		Washer, Terminal Connection
023	<a href="#">210745</a>		Wire Terminal

